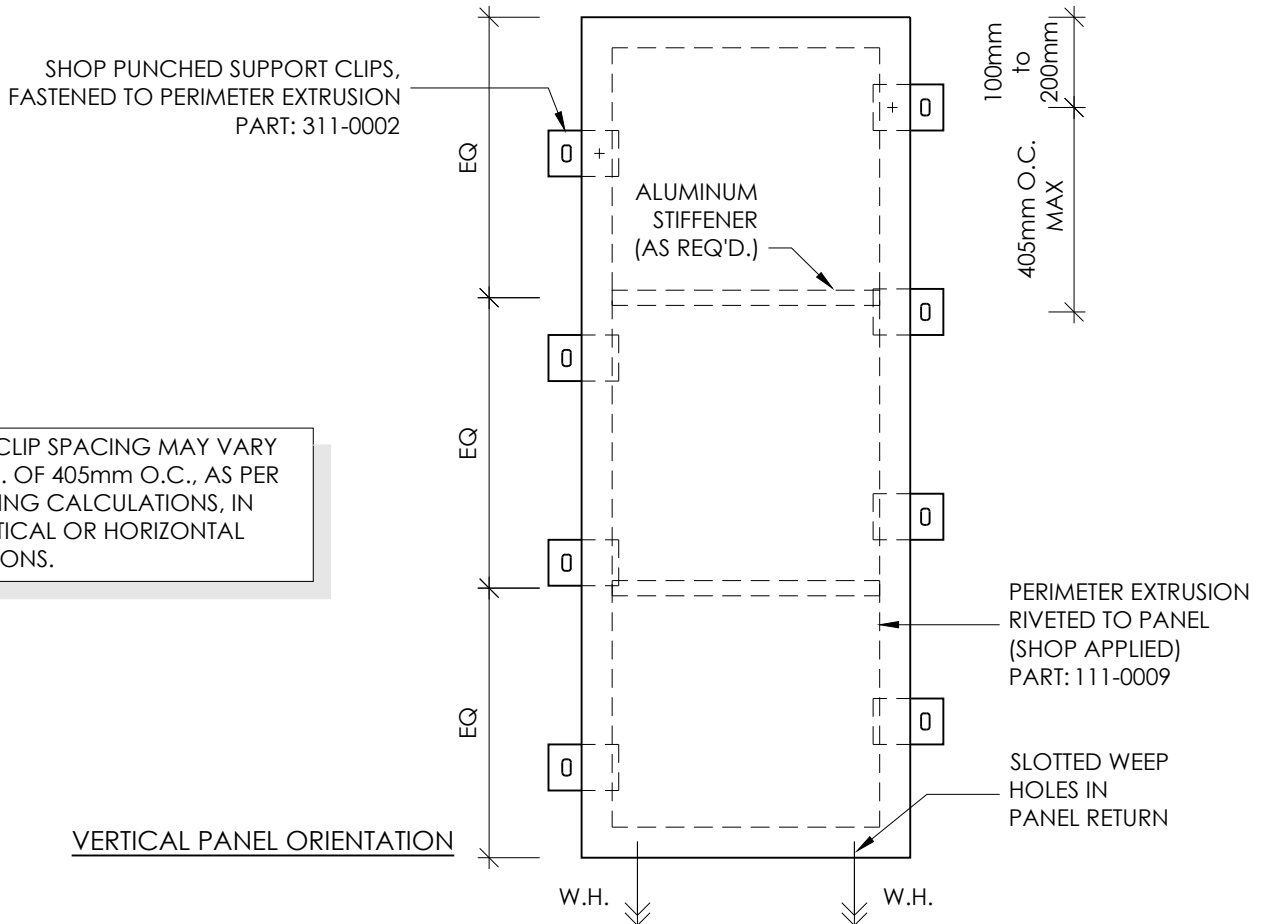
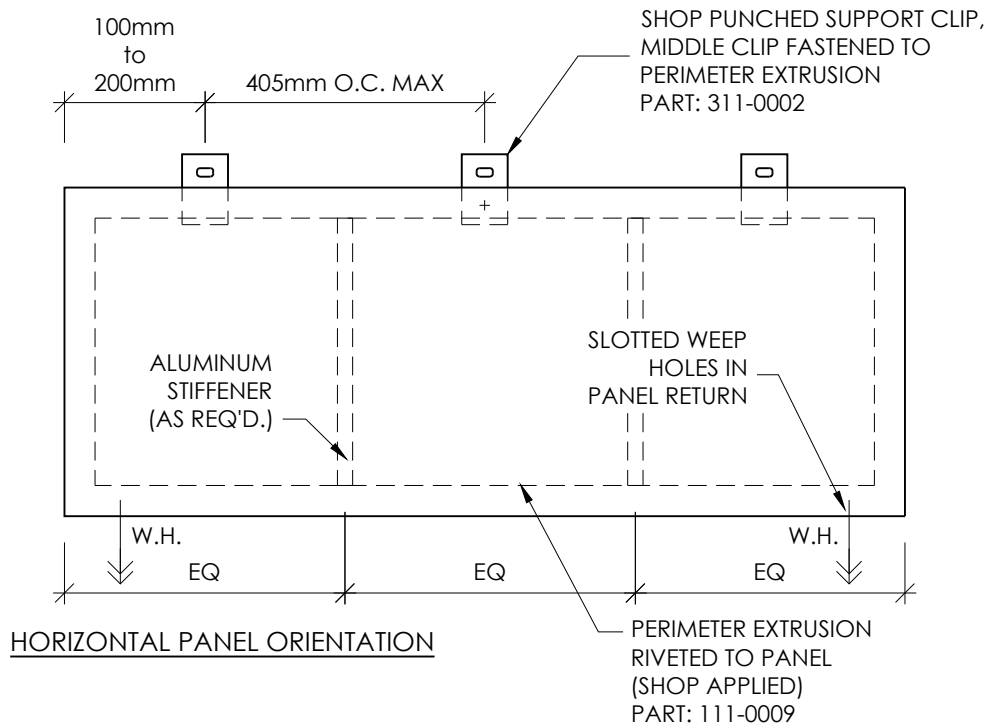


RAINSCREEN ALUMINUM PLATE PANEL SYSTEM

AXIOM
METAL PLATE WALL SYSTEM

DETAIL LAYOUT



SUPPORT CLIP SPACING MAY VARY TO A MAX. OF 405mm O.C., AS PER ENGINEERING CALCULATIONS, IN BOTH VERTICAL OR HORIZONTAL APPLICATIONS.

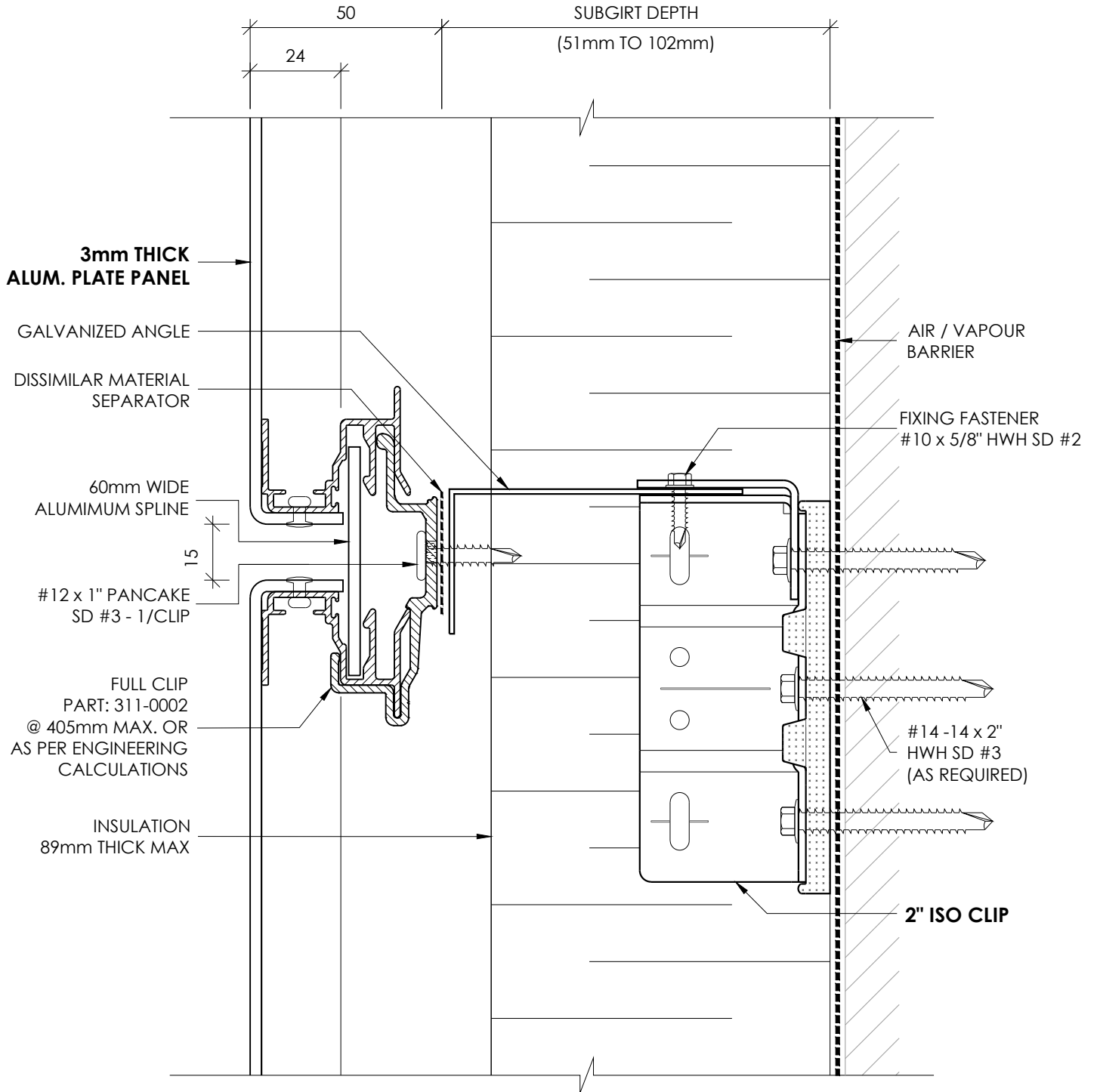


RAINSCREEN ALUMINUM PLATE PANEL SYSTEM



PANEL CONFIGURATION

DETAIL 0

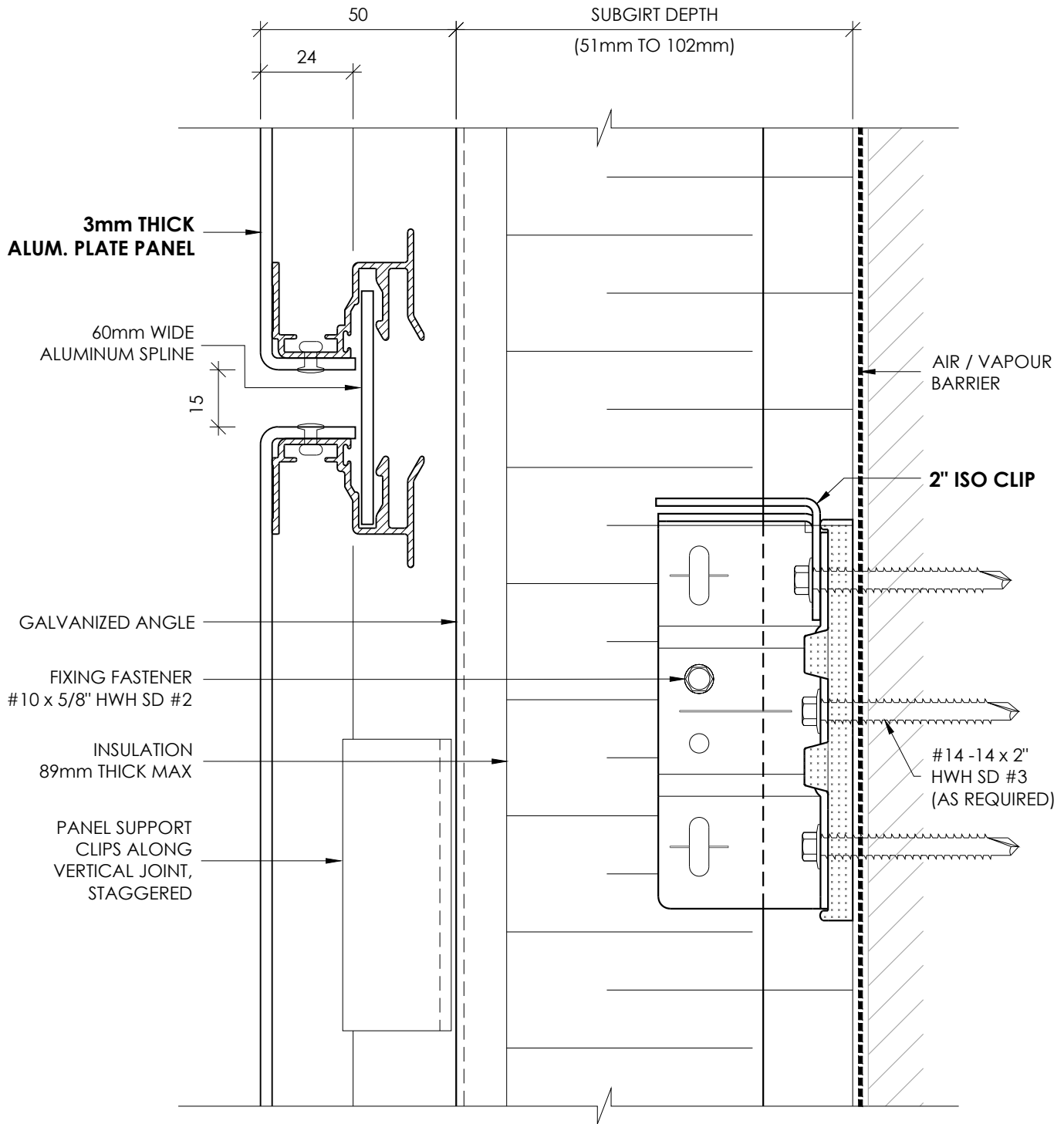


RAINSCREEN ALUMINUM PLATE PANEL SYSTEM

AXIOM
METAL PLATE WALL SYSTEM

HORIZONTAL JOINT
W/ HORIZONTAL SUB-FRAMING

DETAIL 01H

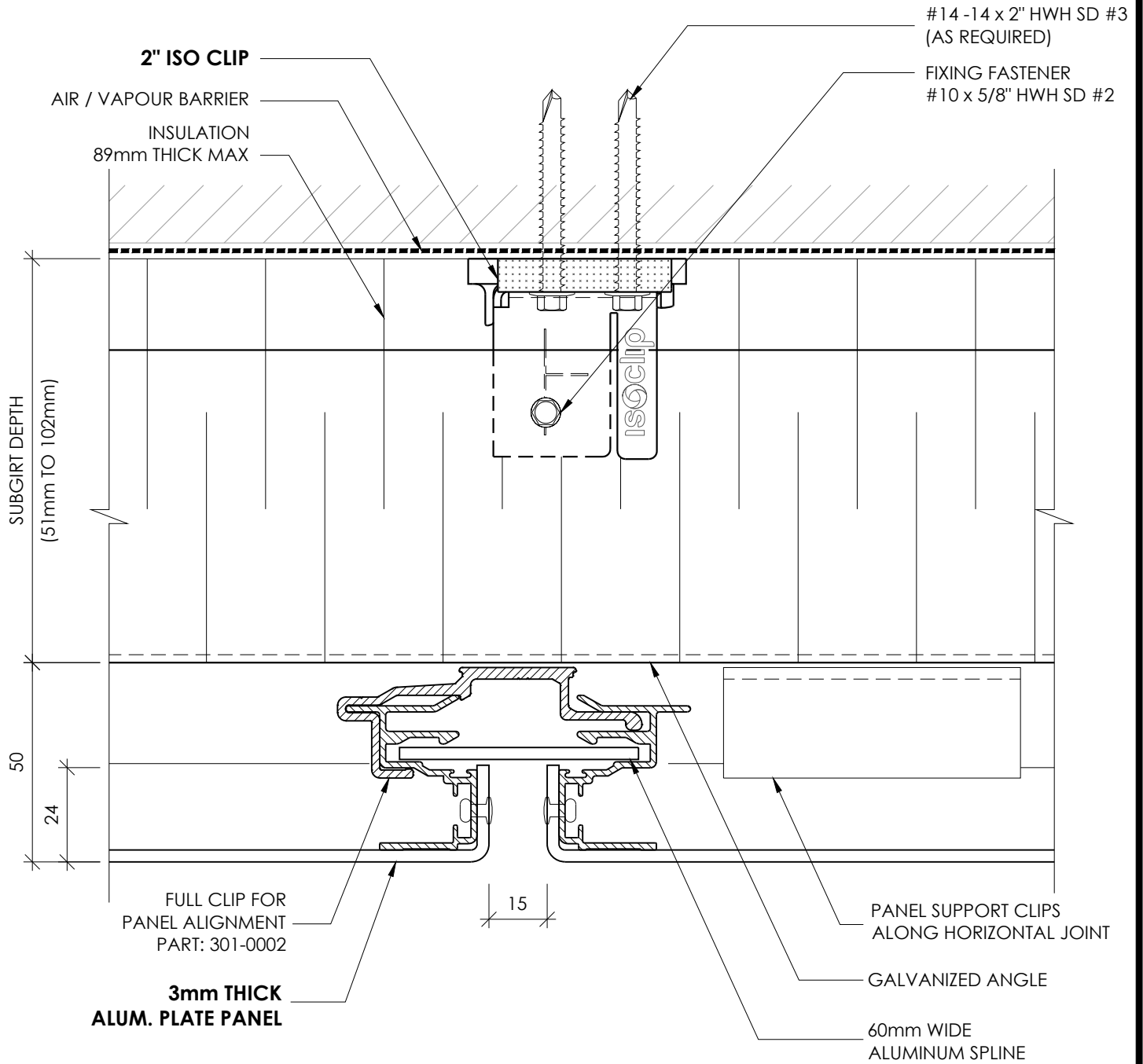


RAINSCREEN ALUMINUM PLATE PANEL SYSTEM

AXIOM
METAL PLATE WALL SYSTEM

HORIZONTAL JOINT
W/ VERTICAL SUB-FRAMING

DETAIL 01V

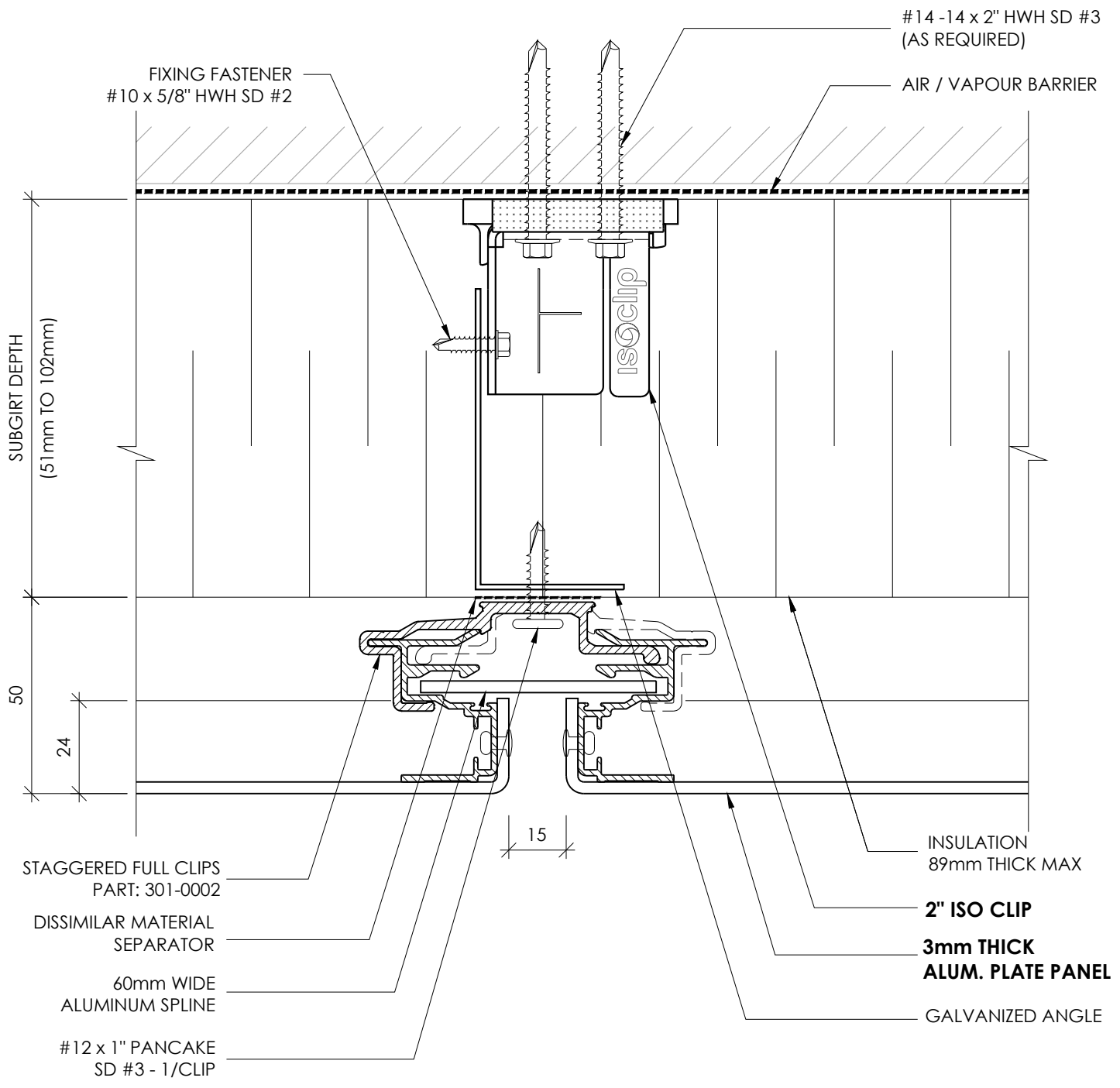


RAINSCREEN ALUMINUM PLATE PANEL SYSTEM

AXIOM
METAL PLATE WALL SYSTEM

VERTICAL JOINT
W/ HORIZONTAL SUB-FRAMING

DETAIL 02H

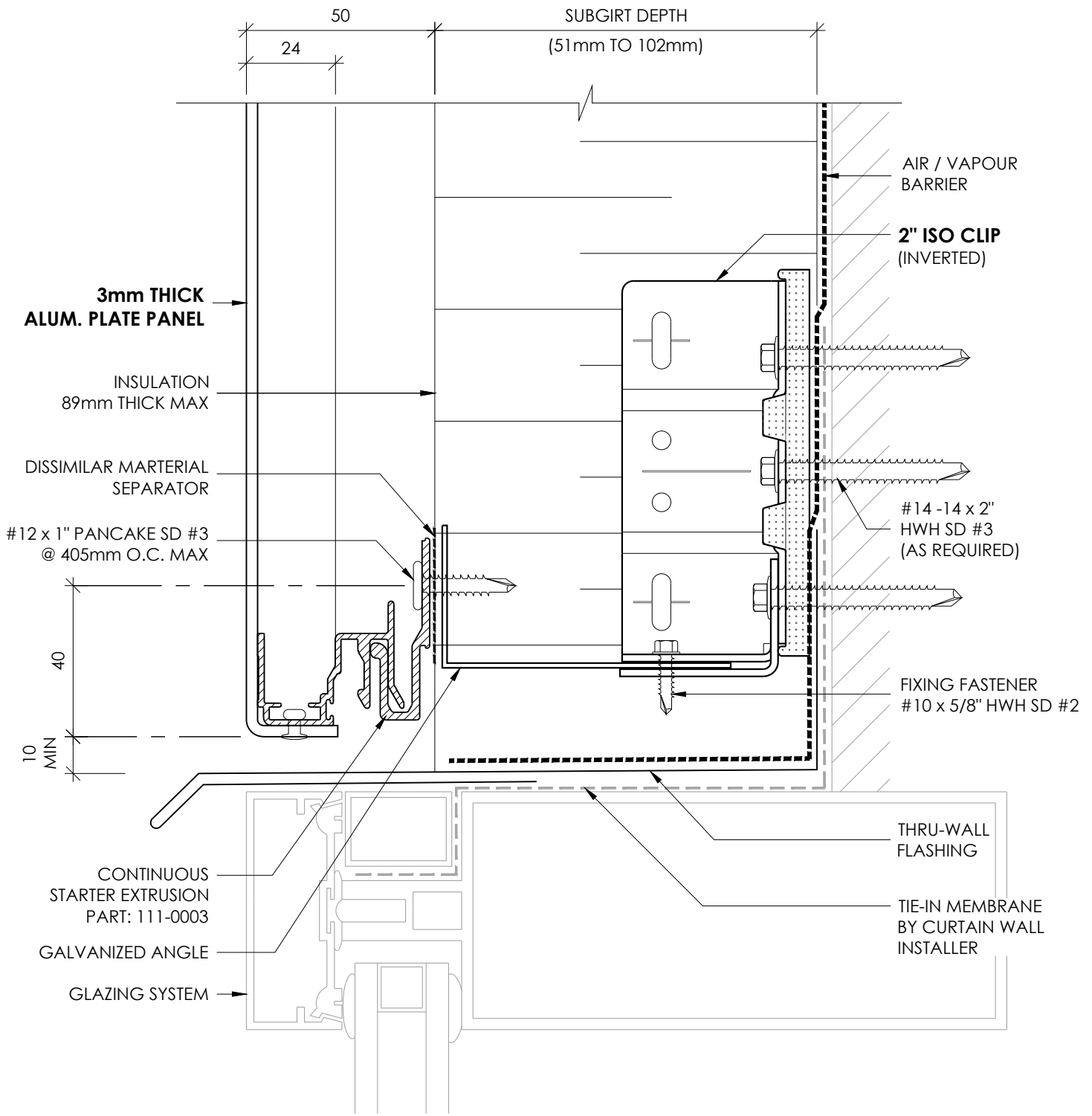


RAINSCREEN ALUMINUM PLATE PANEL SYSTEM



VERTICAL JOINT
W/ VERTICAL SUB-FRAMING

DETAIL 02V

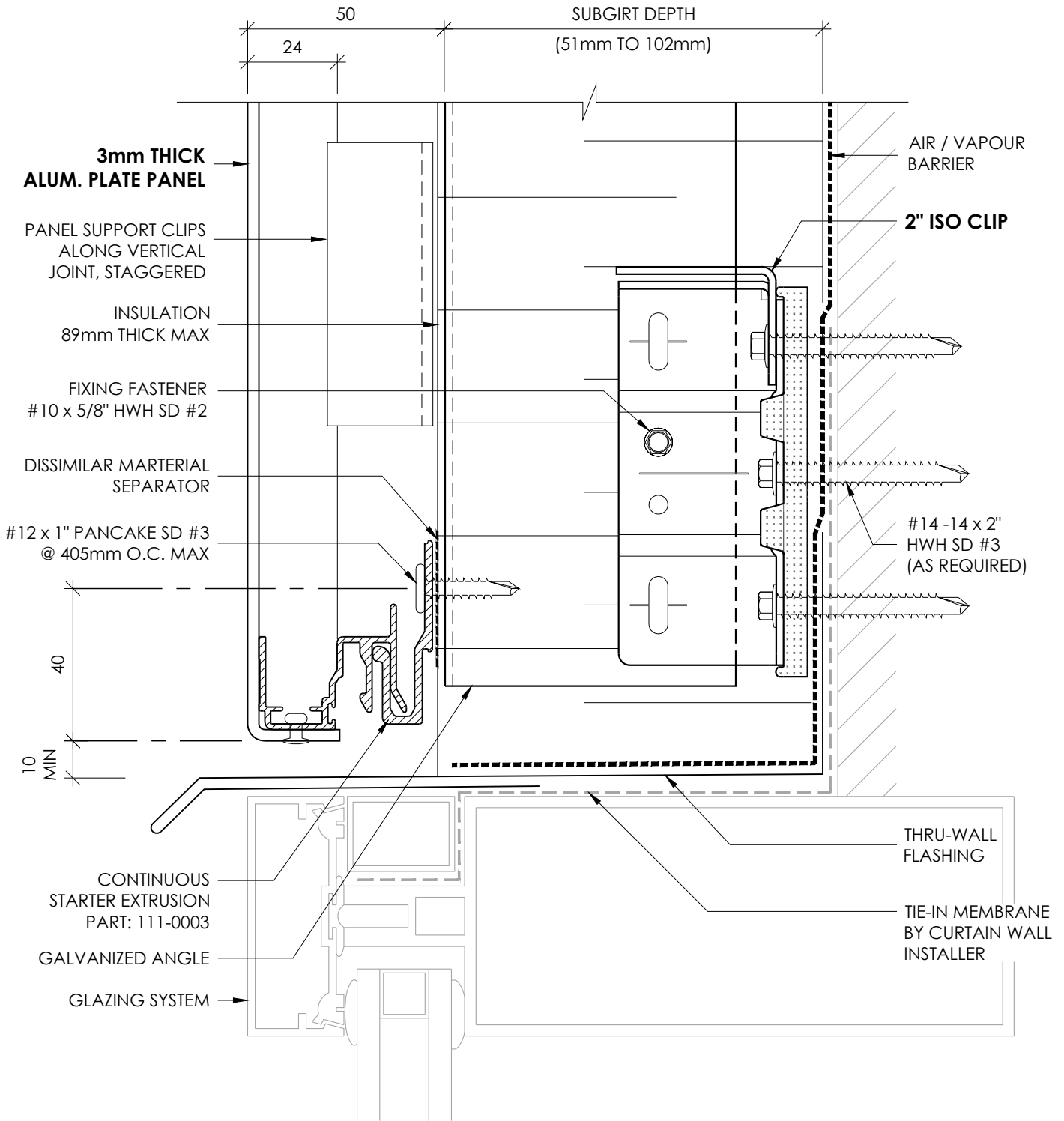


RAINSCREEN ALUMINUM PLATE PANEL SYSTEM

AXIOM
METAL PLATE WALL SYSTEM

WINDOW HEAD
W/ HORIZONTAL SUB-FRAMING

DETAIL 03H

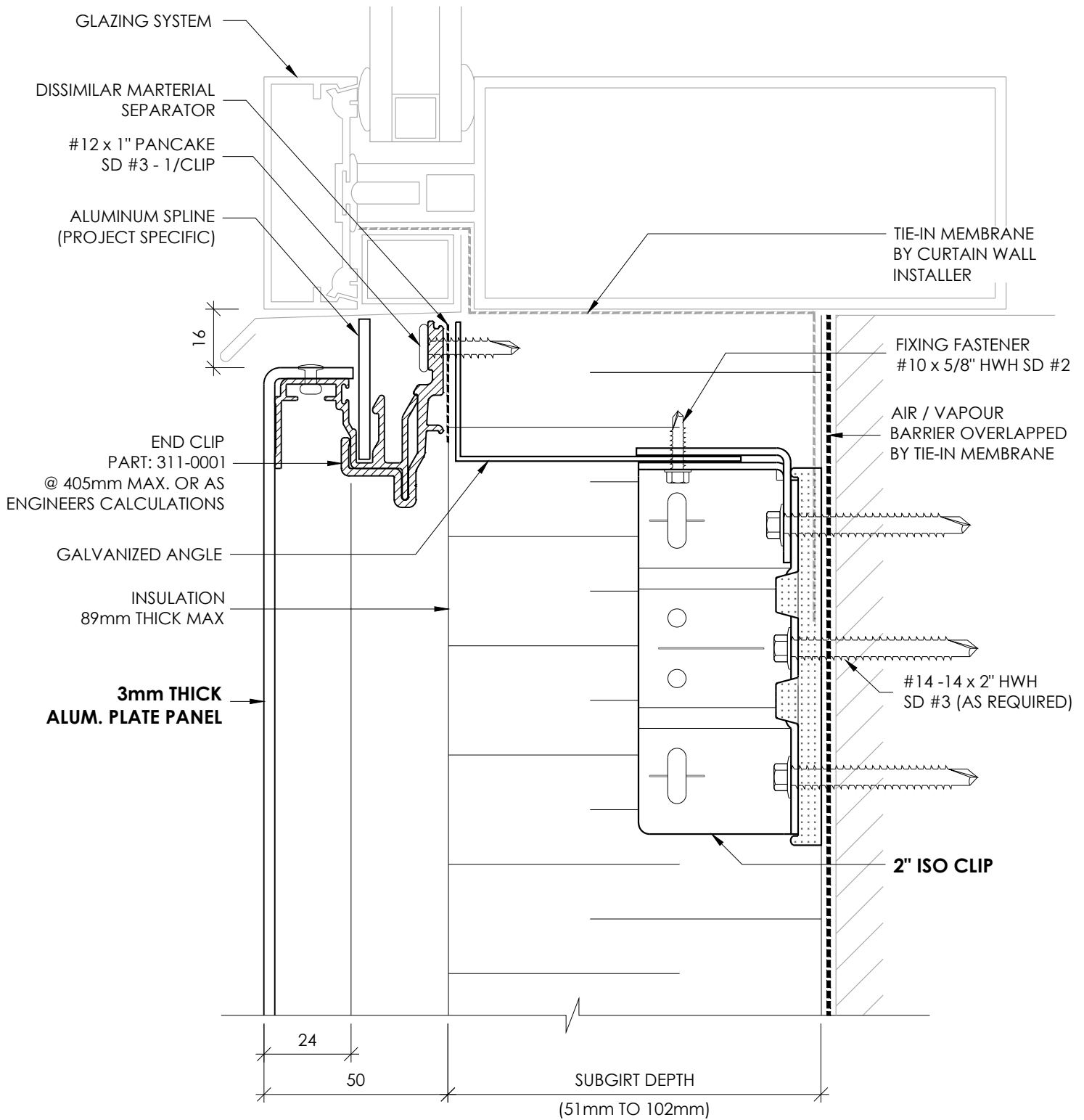


RAINSCREEN ALUMINUM PLATE PANEL SYSTEM

AXIOM
METAL PLATE WALL SYSTEM

WINDOW HEAD
W/ VERTICAL SUB-FRAMING

DETAIL 03V

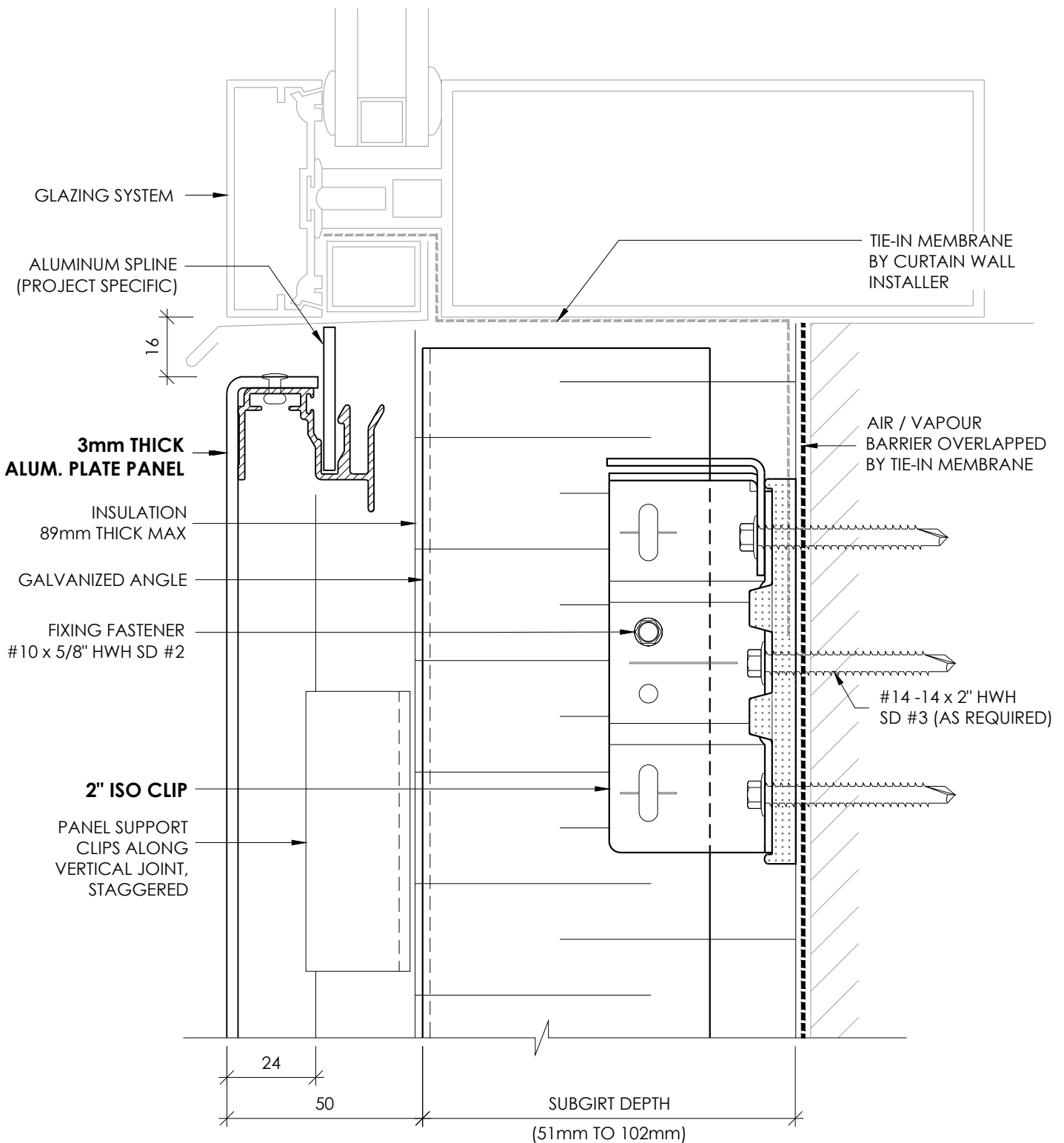


RAINSCREEN ALUMINUM PLATE PANEL SYSTEM

AXIOM
METAL PLATE WALL SYSTEM

WINDOW SILL
W/ HORIZONTAL SUB-FRAMING

DETAIL 04H

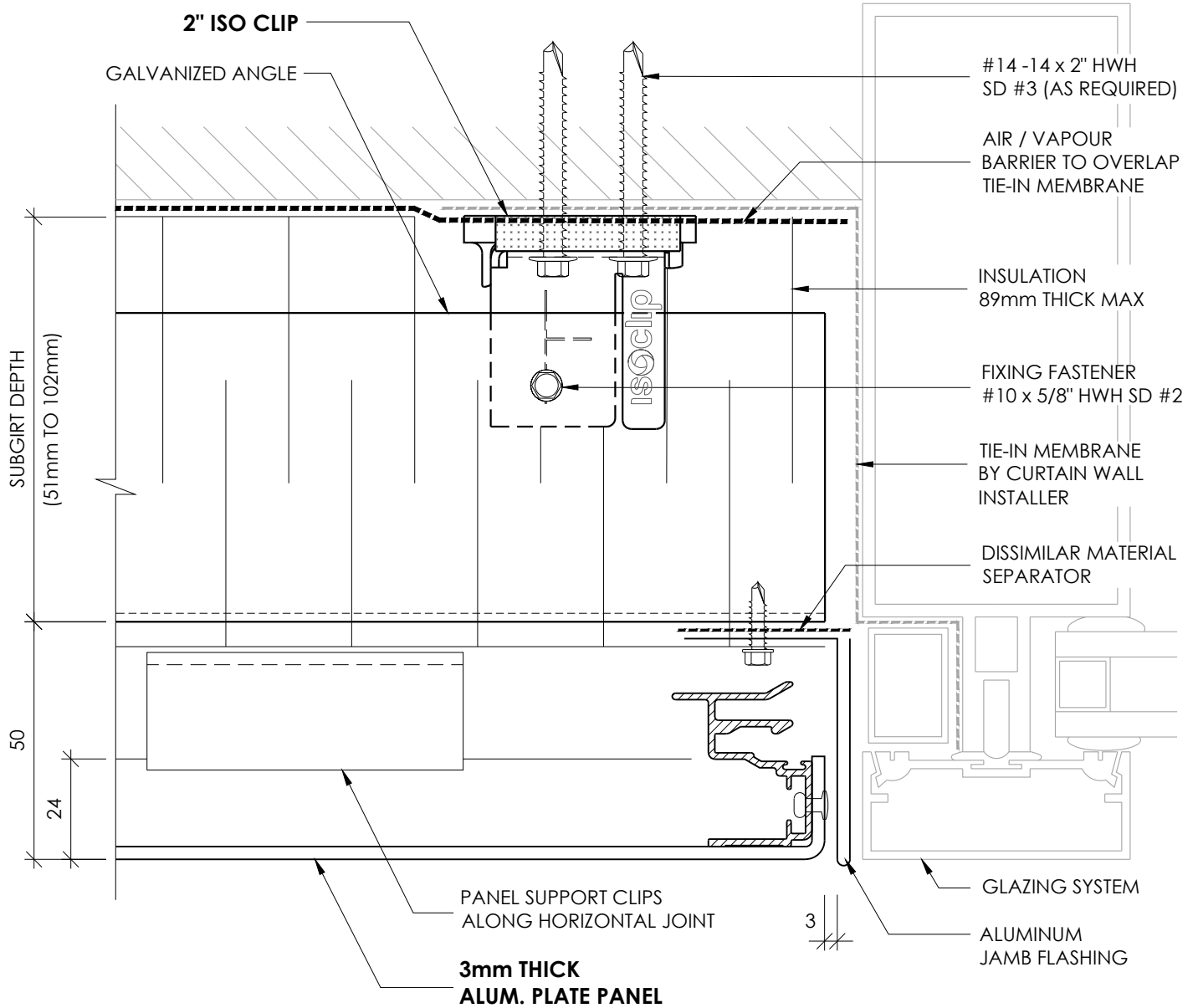


RAINSCREEN ALUMINUM PLATE PANEL SYSTEM

AXIOM
METAL PLATE WALL SYSTEM

WINDOW SILL
W/ VERTICAL SUB-FRAMING

DETAIL 04V

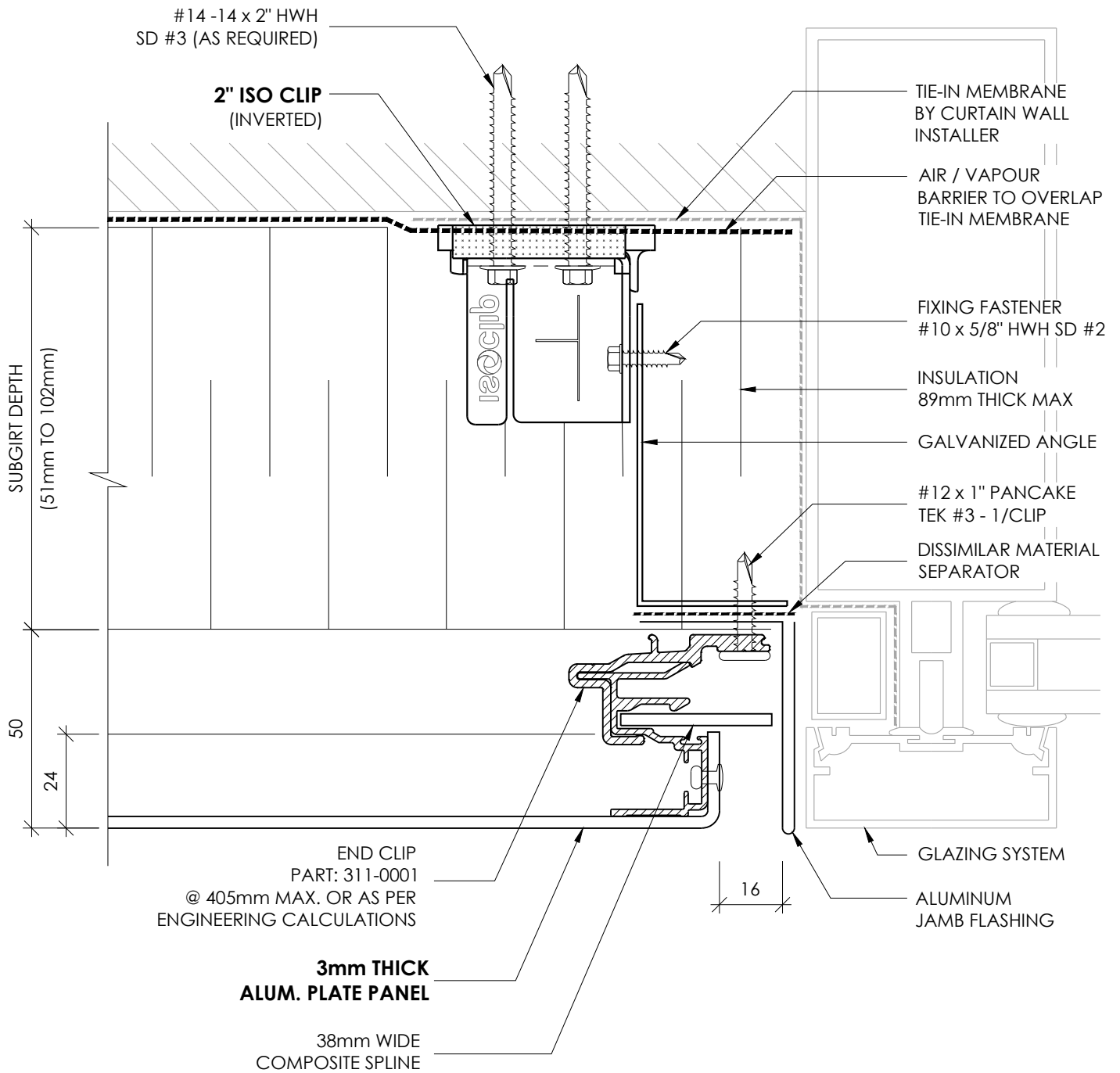


RAINSCREEN ALUMINUM PLATE PANEL SYSTEM



**WINDOW JAMB
W/ HORIZONTAL SUB-FRAMING**

DETAIL 05H

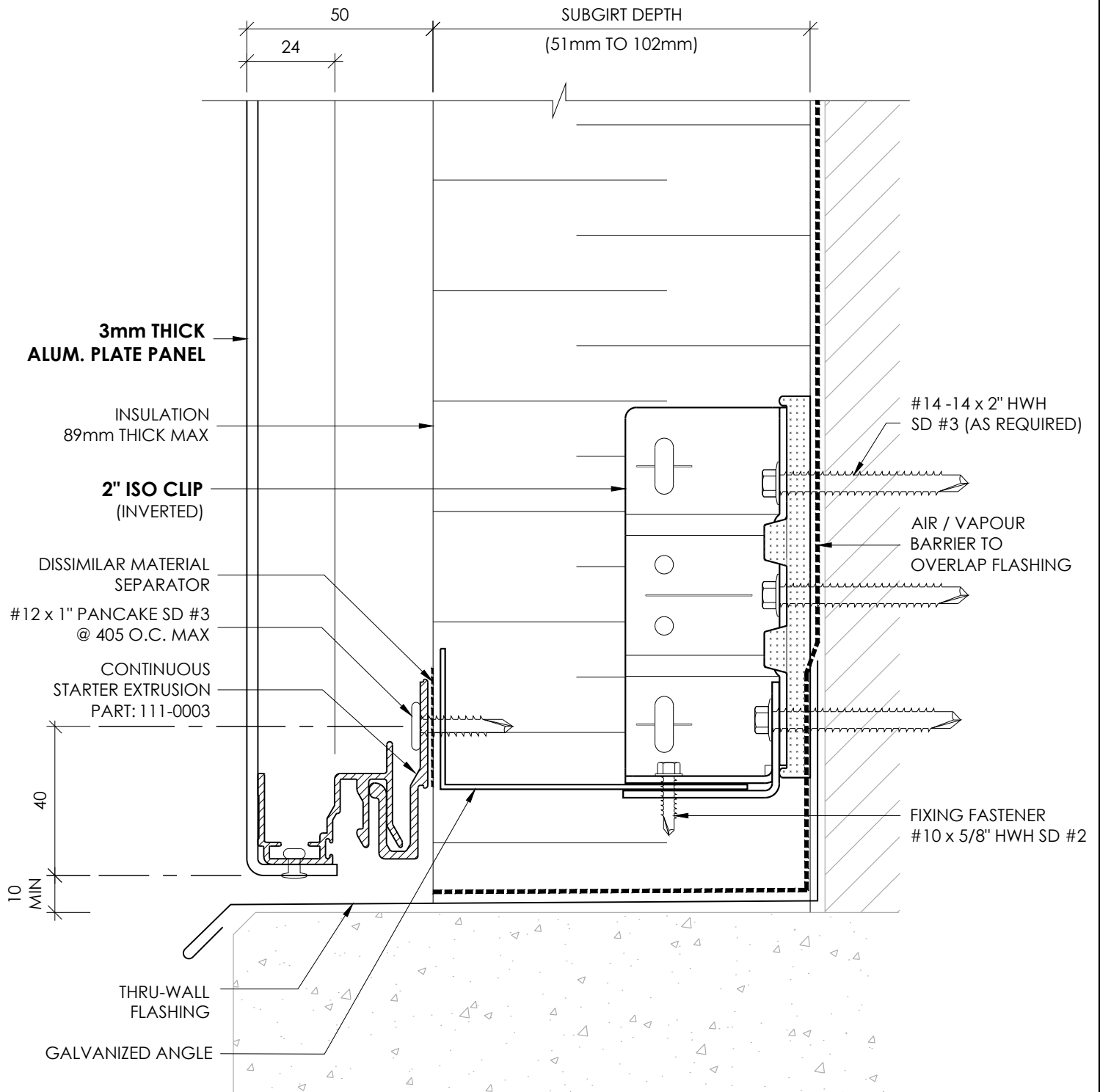


RAINSCREEN ALUMINUM PLATE PANEL SYSTEM

AXIOM
METAL PLATE WALL SYSTEM

WINDOW JAMB
W/ VERTICAL SUB-FRAMING

DETAIL 05V

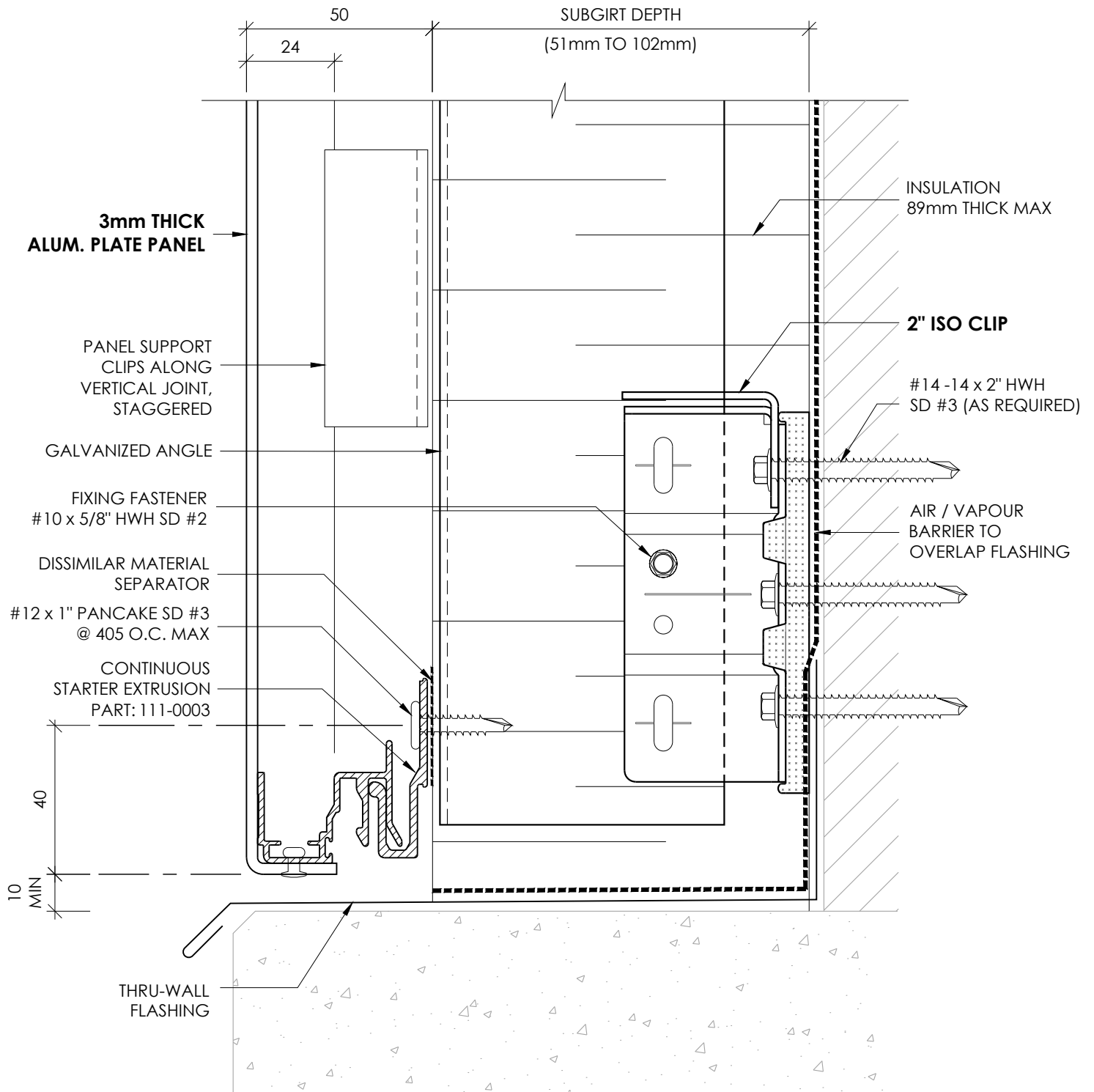


RAINSCREEN ALUMINUM PLATE PANEL SYSTEM

AXIOM
METAL PLATE WALL SYSTEM

BASE DETAIL
W/ HORIZONTAL SUB-FRAMING

DETAIL 06H

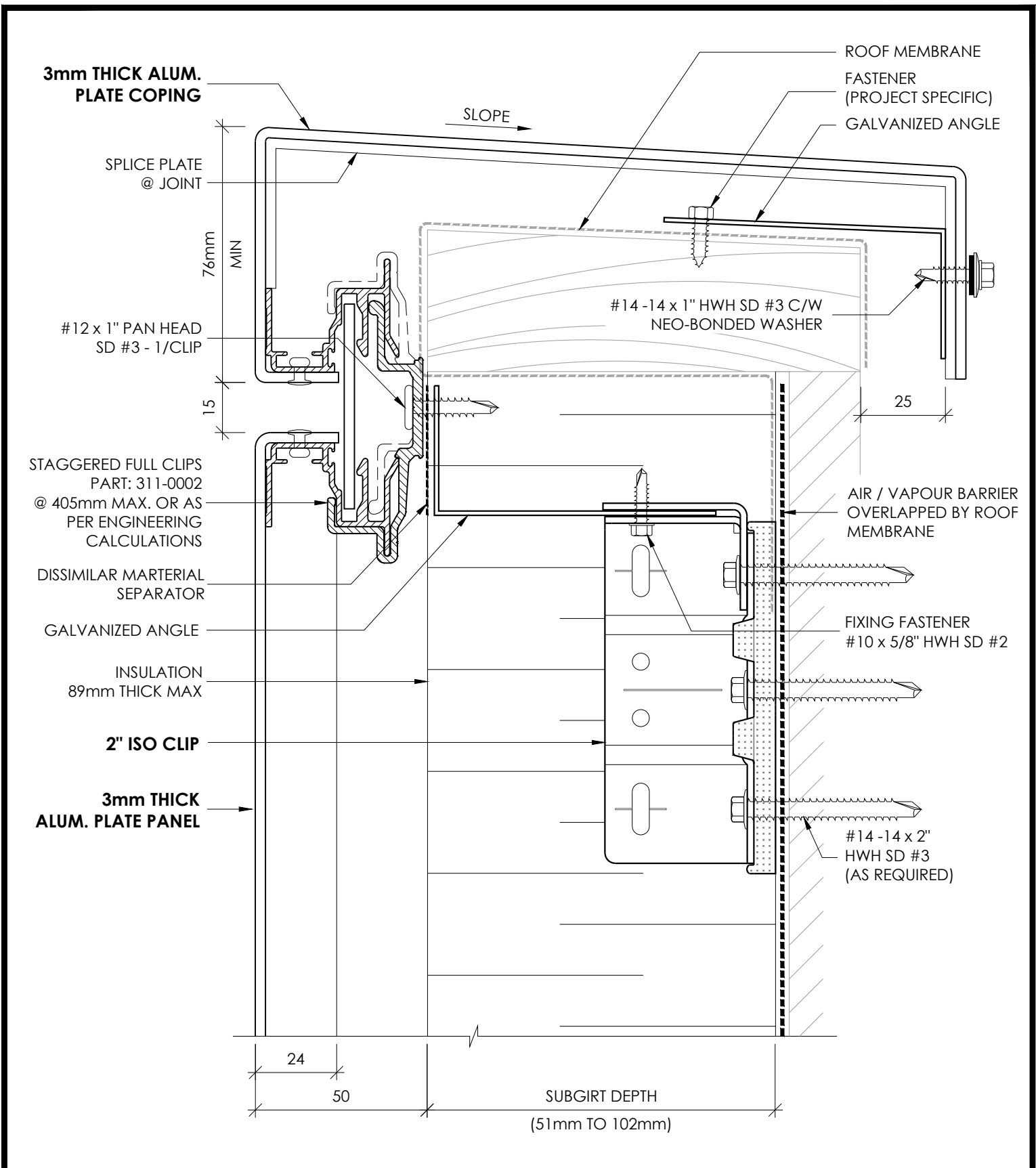


RAINSCREEN ALUMINUM PLATE PANEL SYSTEM

AXIOM
METAL PLATE WALL SYSTEM

BASE DETAIL
W/ VERTICAL SUB-FRAMING

DETAIL 06V



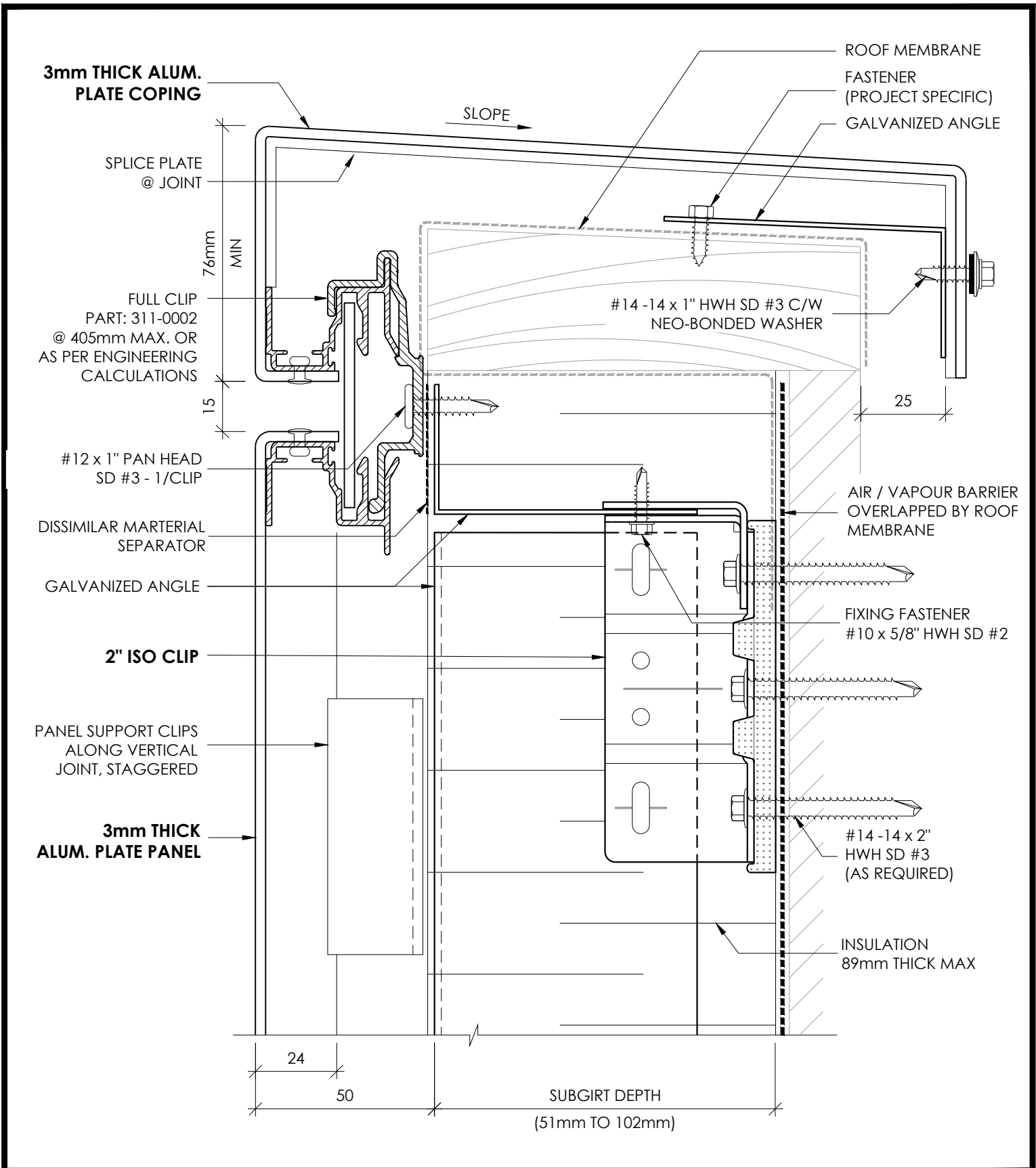
RAINSCREEN ALUMINUM PLATE PANEL SYSTEM

AXIOM
METAL PLATE WALL SYSTEM

PARAPET DETAIL
W/ HORIZONTAL SUB-FRAMING

DETAIL 07H

This drawing is the sole property of and may only be reproduced upon receipt of written permission from NORTHERN FACADES / AUG 2019



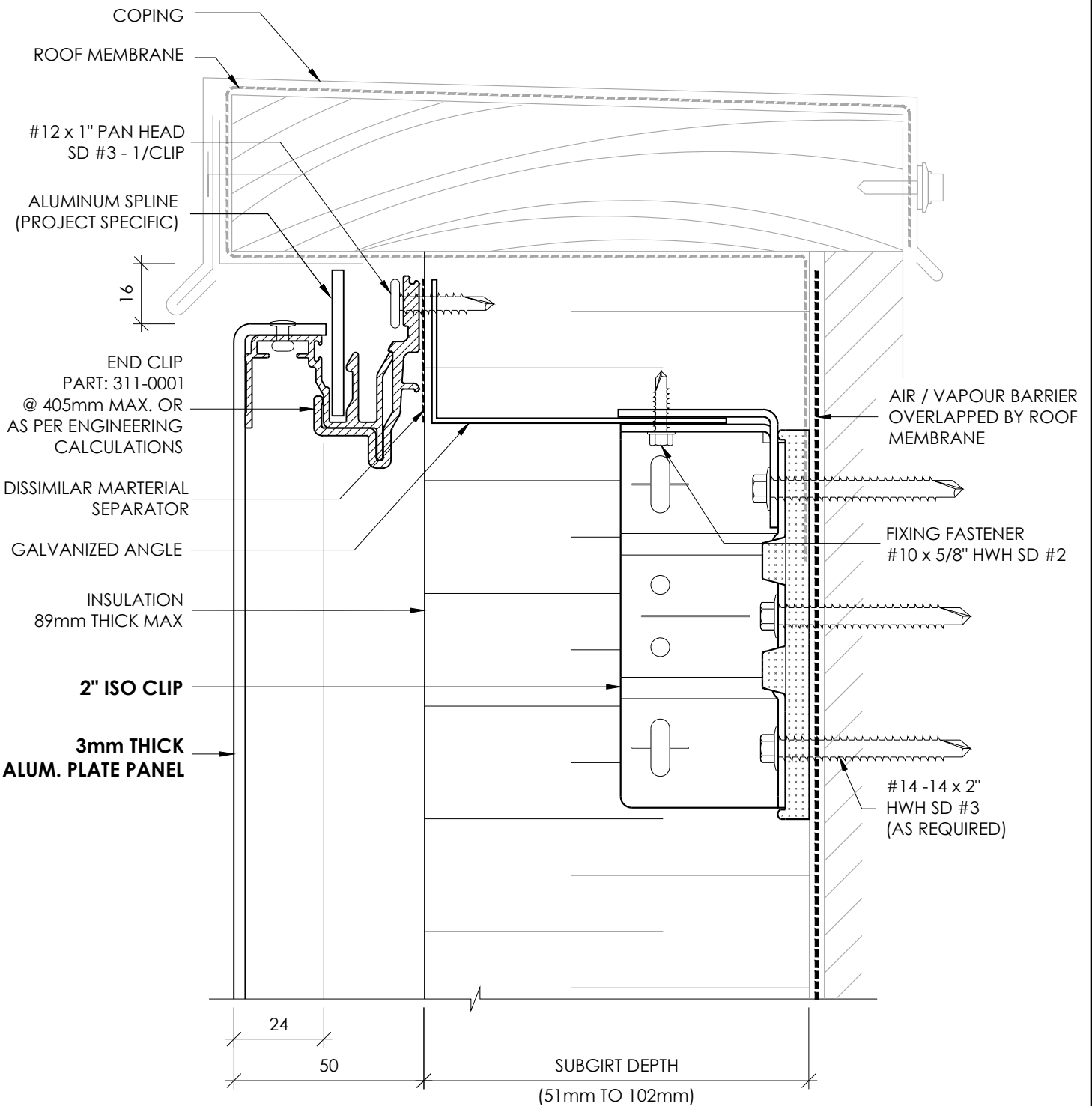
RAINSCREEN ALUMINUM PLATE PANEL SYSTEM

AXIOM
METAL PLATE WALL SYSTEM

PARAPET DETAIL
W/ VERTICAL SUB-FRAMING

DETAIL 07V

This drawing is the sole property of and may only be reproduced upon receipt of written permission from NORTHERN FACADES / AUG 2019

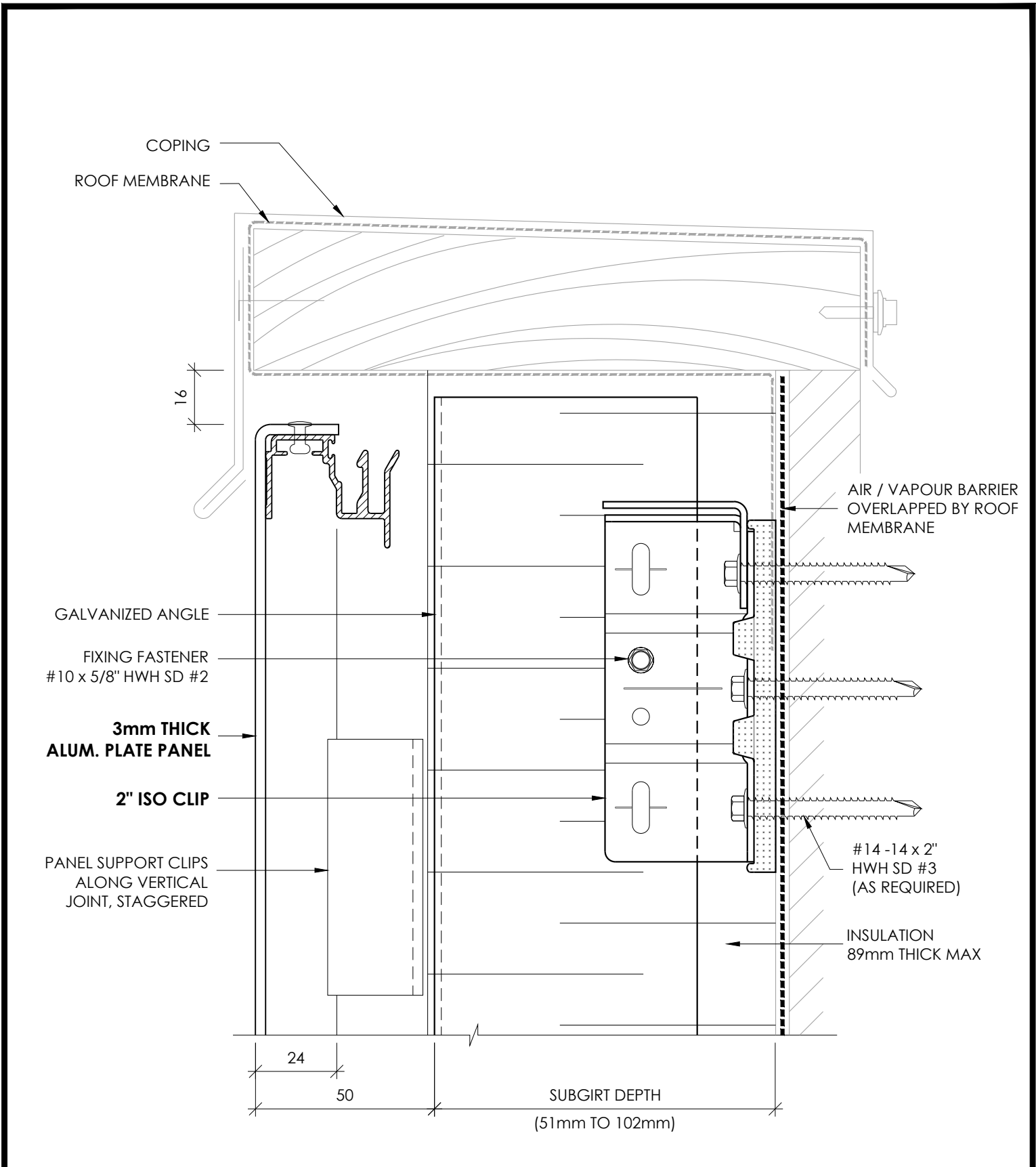


RAINSCREEN ALUMINUM PLATE PANEL SYSTEM

AXIOM
METAL PLATE WALL SYSTEM

PARAPET DETAIL
W/ HORIZONTAL SUB-FRAMING

DETAIL 08H

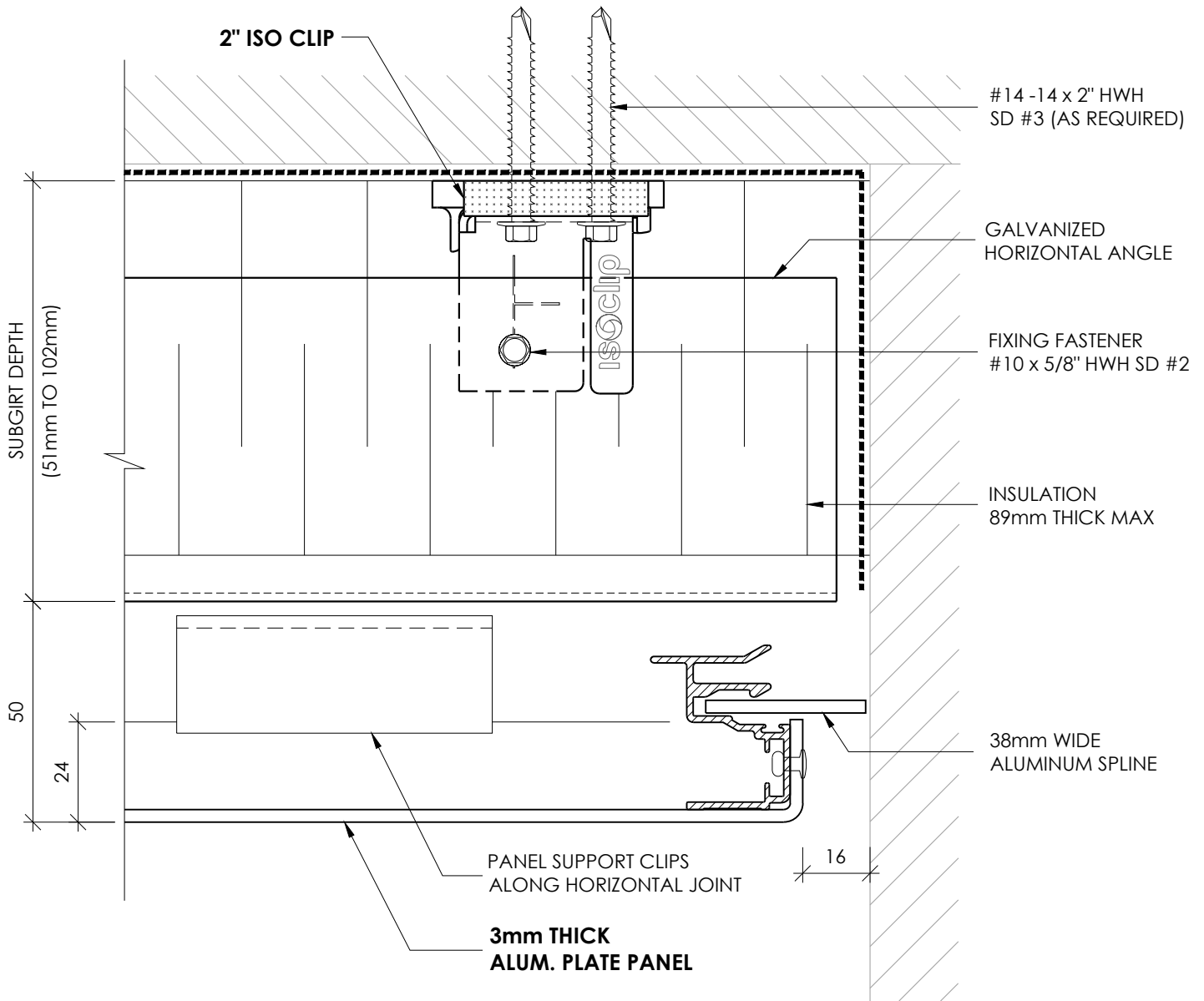


RAINSCREEN ALUMINUM PLATE PANEL SYSTEM

AXIOM
METAL PLATE WALL SYSTEM

PARAPET DETAIL
W/ VERTICAL SUB-FRAMING

DETAIL 08V

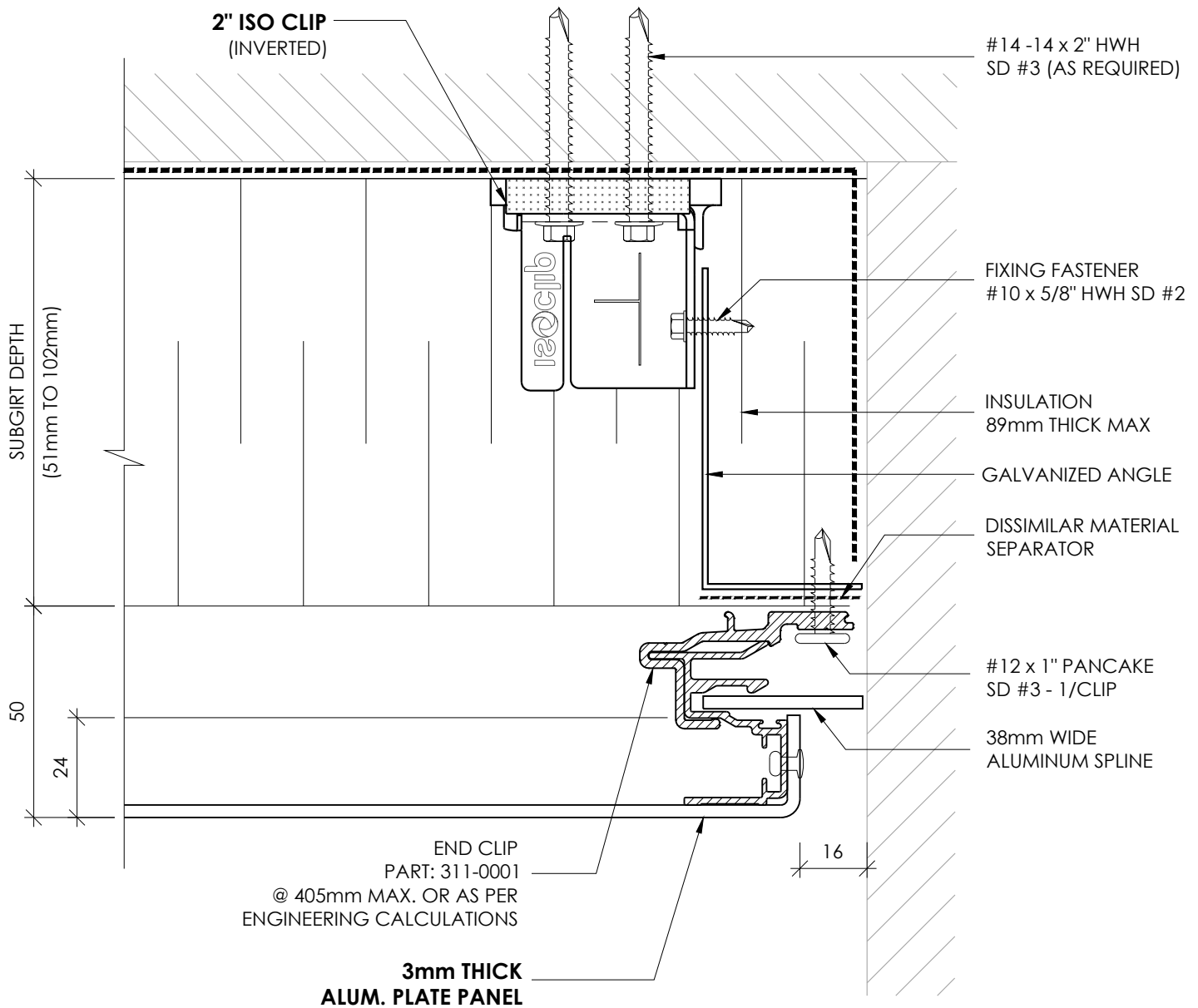


RAINSCREEN ALUMINUM PLATE PANEL SYSTEM

AXIOM
METAL PLATE WALL SYSTEM

TERMINATION DETAIL
W/ HORIZONTAL SUB-FRAMING

DETAIL 09H

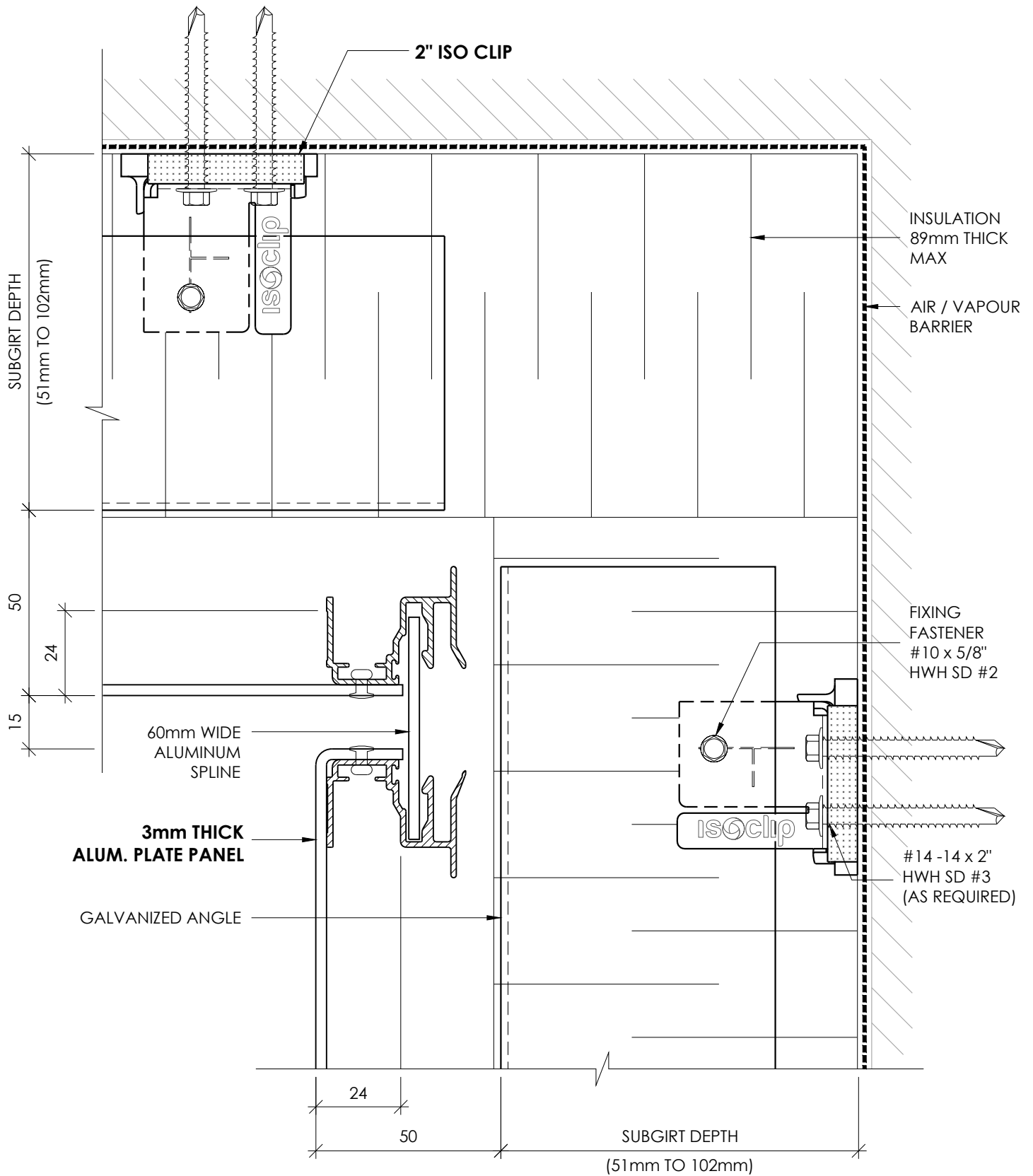


RAINSCREEN ALUMINUM PLATE PANEL SYSTEM

AXIOM
METAL PLATE WALL SYSTEM

**TERMINATION DETAIL
W/ VERTICAL SUB-FRAMING**

DETAIL 09V

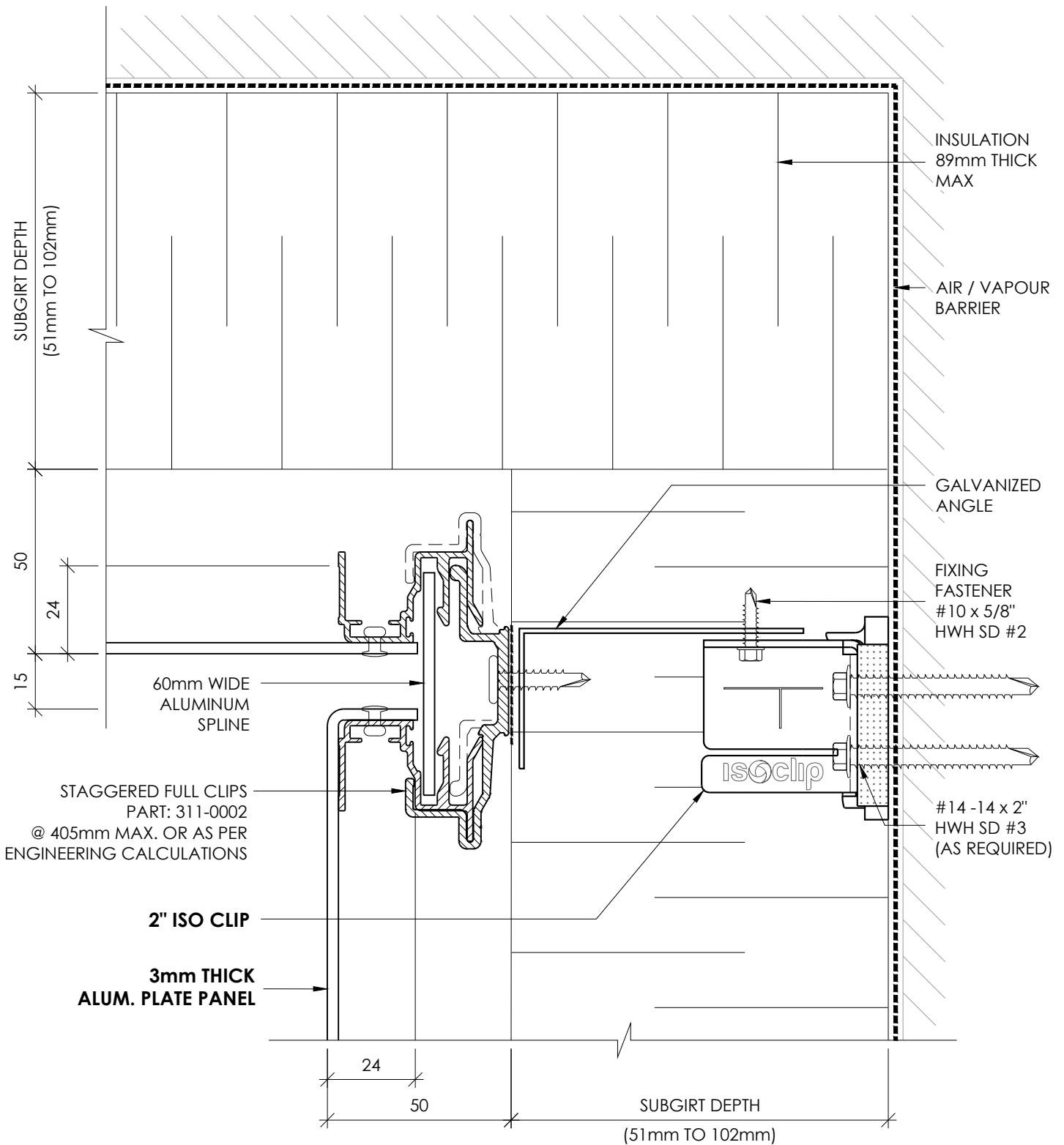


RAINSCREEN ALUMINUM PLATE PANEL SYSTEM

AXIOM
METAL PLATE WALL SYSTEM

INSIDE CORNER
W/ HORIZONTAL SUB-FRAMING

DETAIL 10H



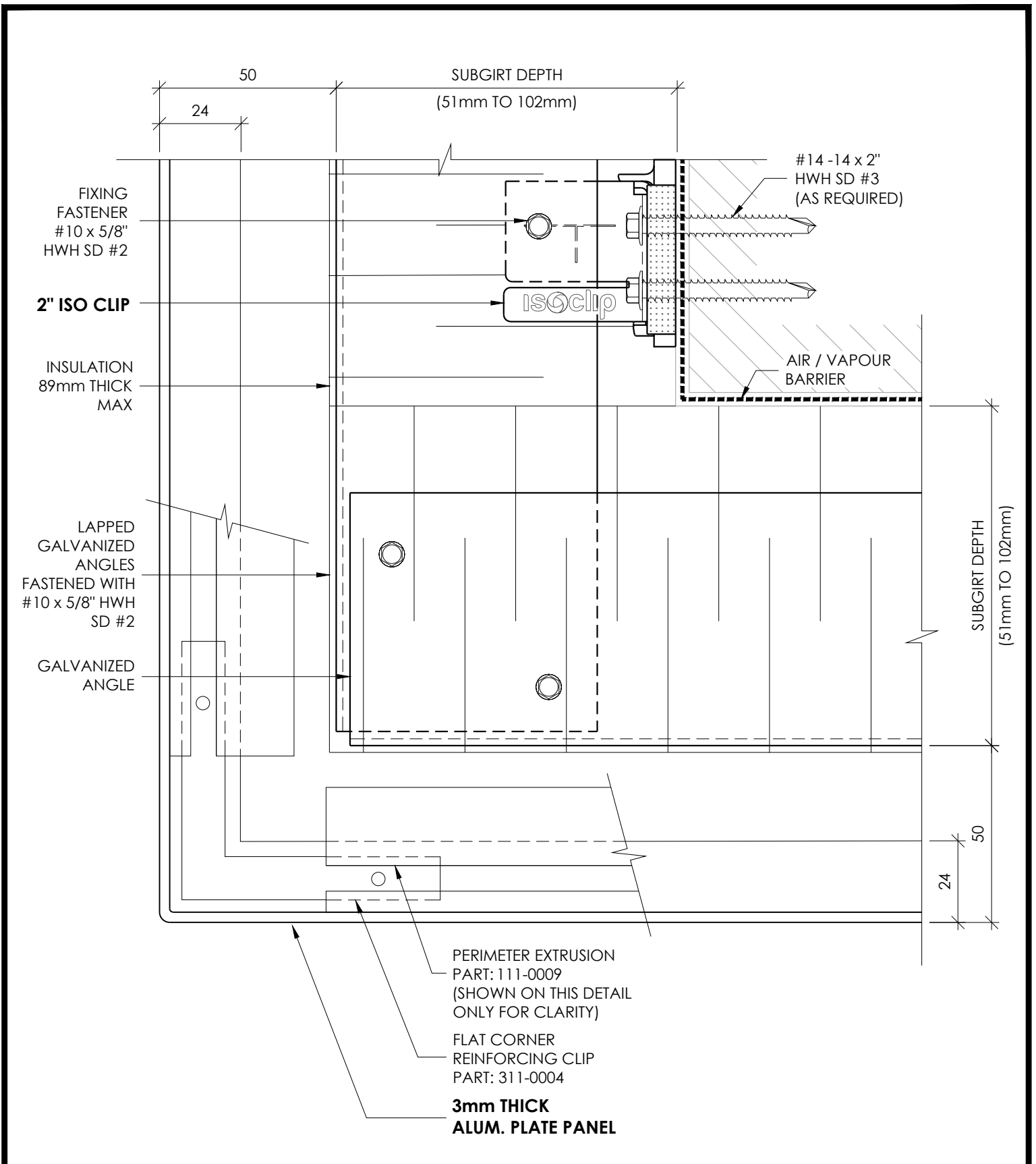
RAINSCREEN ALUMINUM PLATE PANEL SYSTEM

AXIOM
METAL PLATE WALL SYSTEM

INSIDE CORNER
W/ VERTICAL SUB-FRAMING

DETAIL 10V

This drawing is the sole property of and may only be reproduced upon receipt of written permission from NORTHERN FACADES / AUG 2019

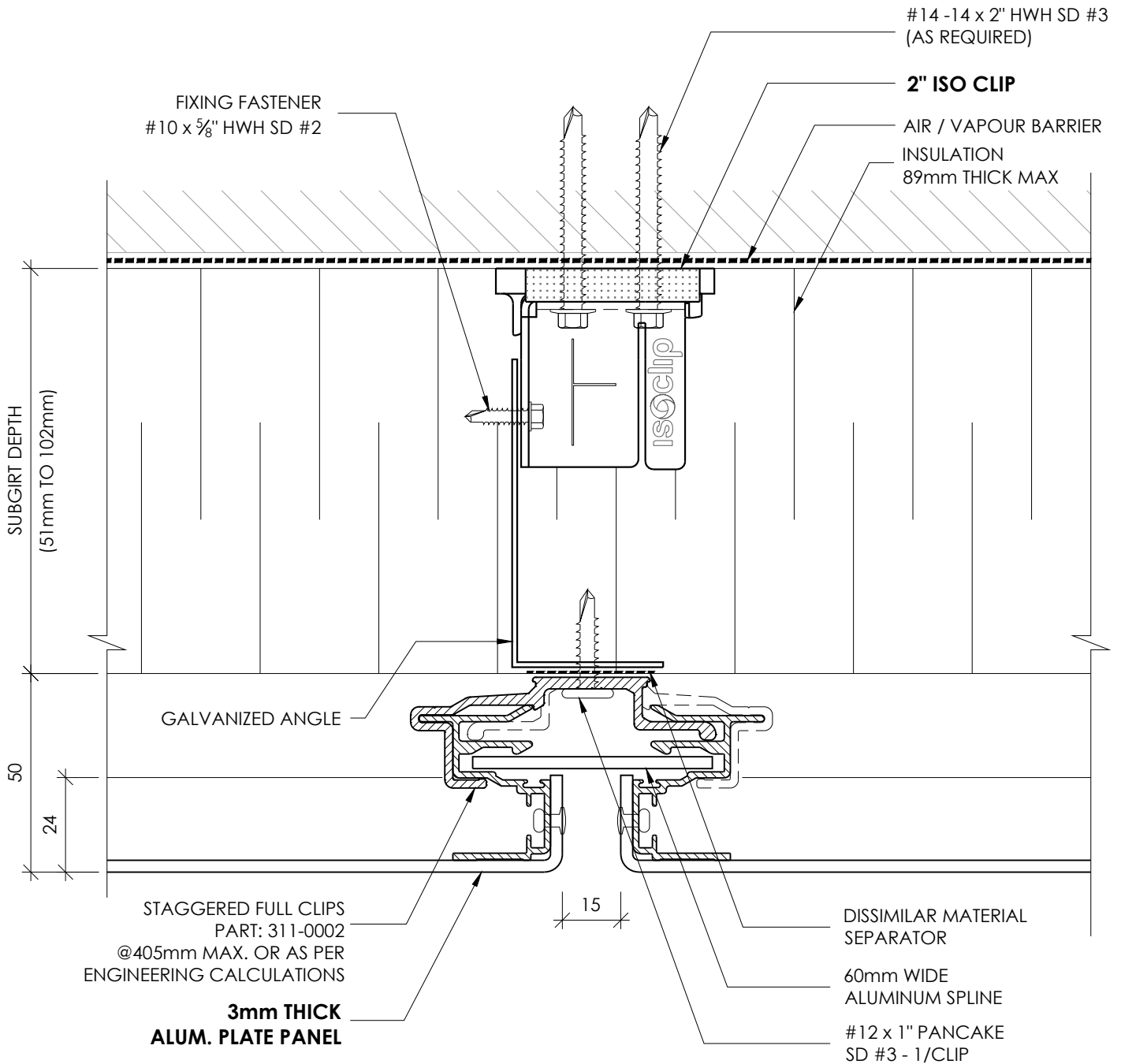


RAINSCREEN ALUMINUM PLATE PANEL SYSTEM

AXIOM
METAL PLATE WALL SYSTEM

OUTSIDE CORNER

DETAIL 11



RAINSCREEN ALUMINUM PLATE PANEL SYSTEM

AXIOM
METAL PLATE WALL SYSTEM

SOFFIT JOINT

DETAIL 12

INSULATION
89mm THICK
MAX
#14 -14 x 2"
HWH SD #3
(AS REQUIRED)

2" ISO CLIP

AIR / VAPOUR
BARRIER

FIXING
FASTENER
#10 x 5/8"
HWH SD #2

SUBGIRT DEPTH
(51mm TO 102mm)

50
24

SUBGIRT DEPTH
(51mm TO 102mm)

50
24

STAGGERED FULL CLIPS
PART: 311-0002
AS PER ENGINEERING
CALCULATIONS

**3mm THICK
ALUM. PLATE PANEL**

15

GALVANIZED ANGLE
60mm WIDE
ALUMINUM SPLINE
DISSIMILAR MATERIAL
SEPARATOR
#12 x 1" PANCAKE
SD #3 - 1/CLIP

PERIMETER EXTRUSION
PART: 111-0009
(SHOWN ON THIS DETAIL
ONLY FOR CLARITY)
FLAT CORNER
REINFORCING CLIP
PART: 311-0004

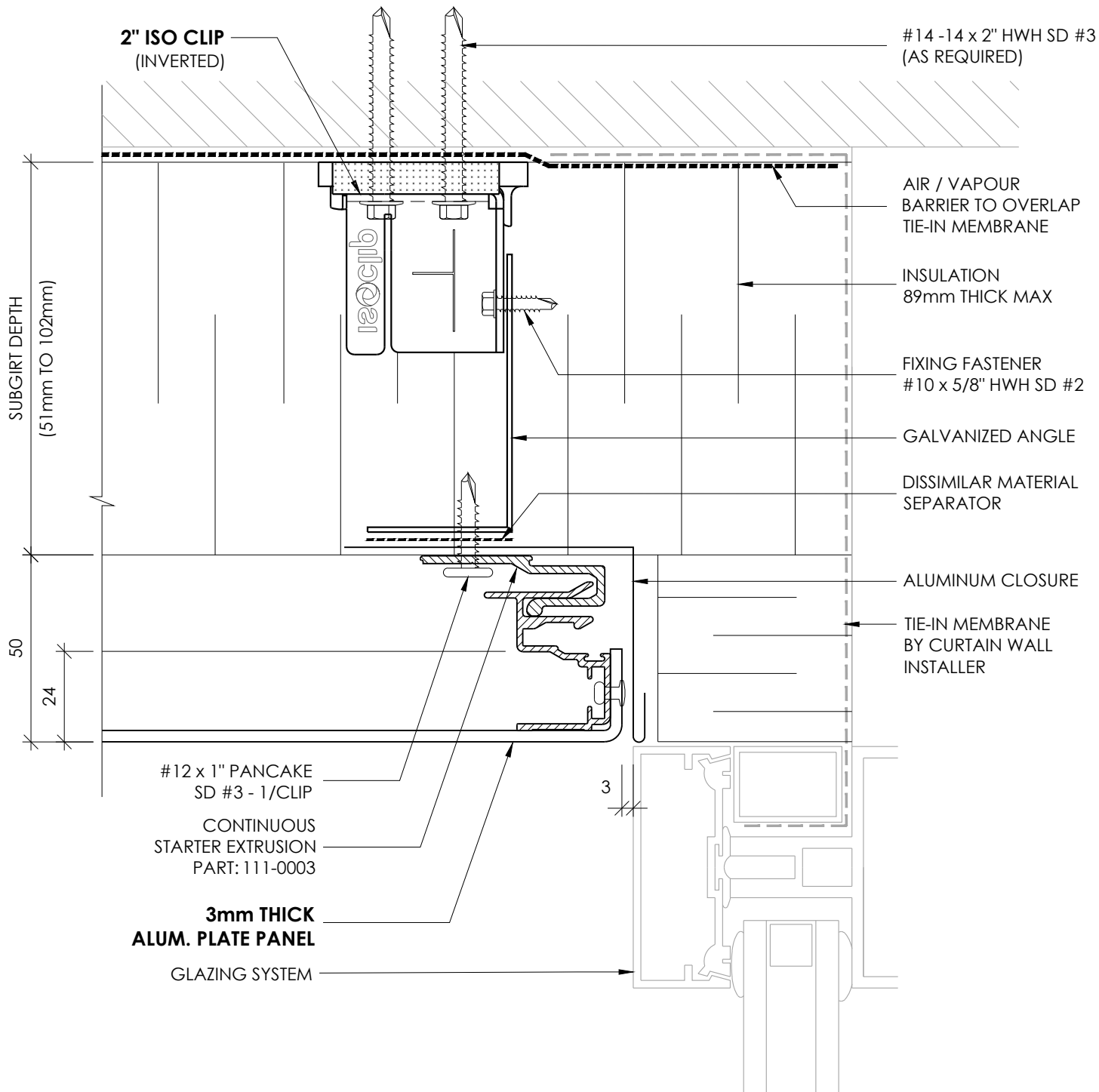


RAINSCREEN ALUMINUM PLATE PANEL SYSTEM

AXIOM
METAL PLATE WALL SYSTEM

SOFFIT FASCIA JOINT

DETAIL 13

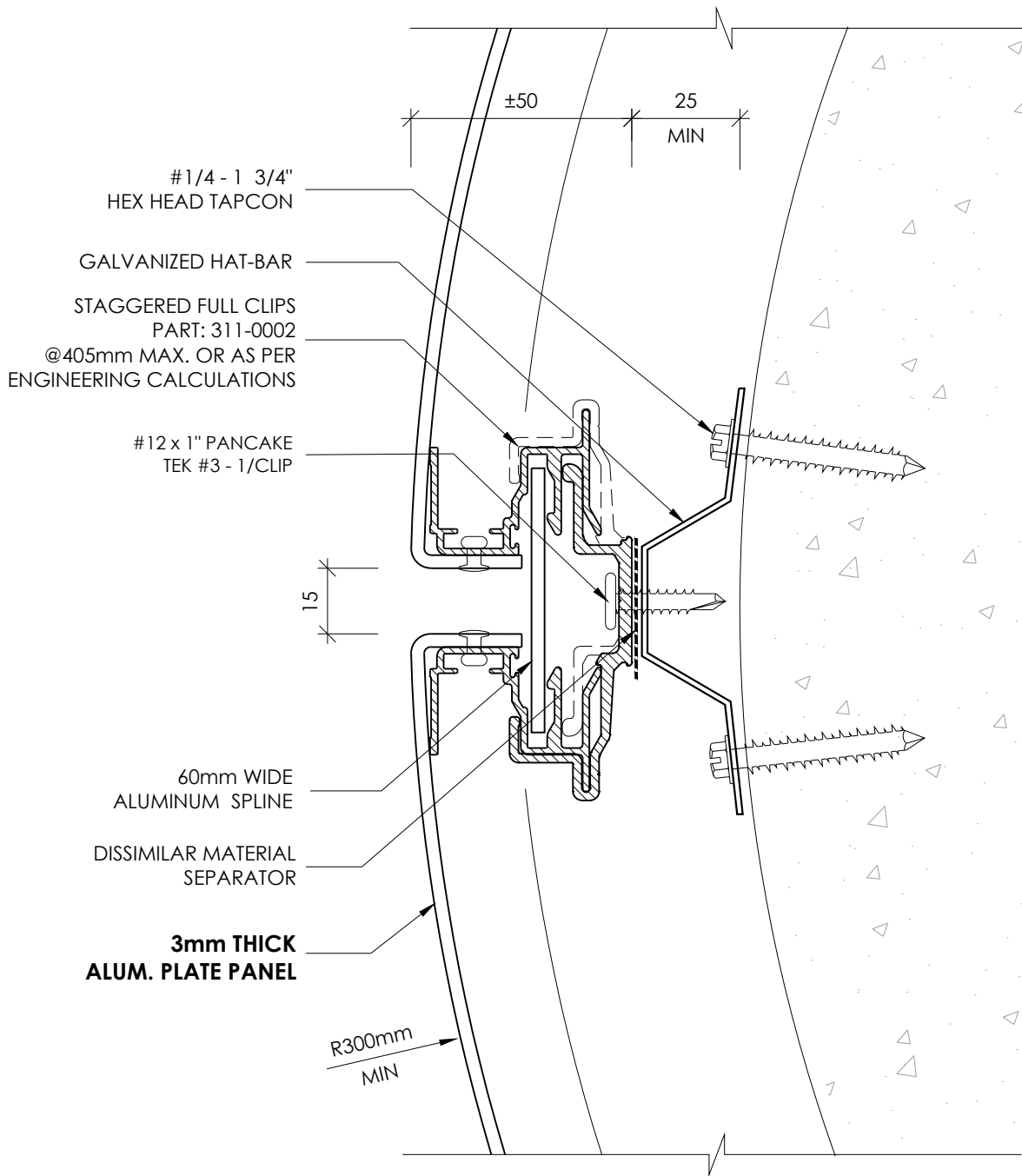


RAINSCREEN ALUMINUM PLATE PANEL SYSTEM



SOFFIT TERMINATION JOINT

DETAIL 14



RAINSCREEN ALUMINUM PLATE PANEL SYSTEM

AXIOM
METAL PLATE WALL SYSTEM

CURVED COLOUMN DETAIL

DETAIL 15

This drawing is the sole property of and may only be reproduced upon receipt of written permission from NORTHERN FACADES / AUG 2019