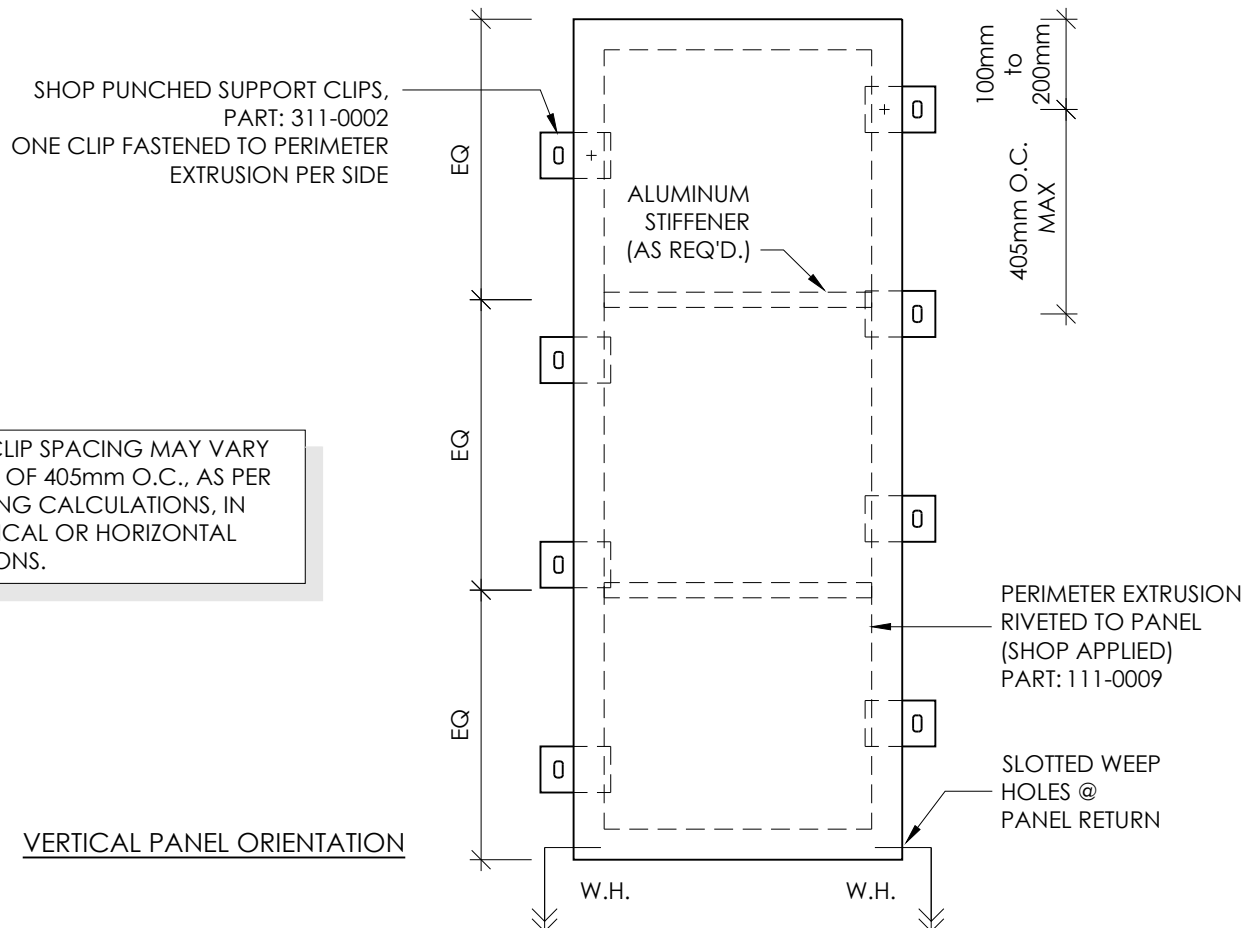
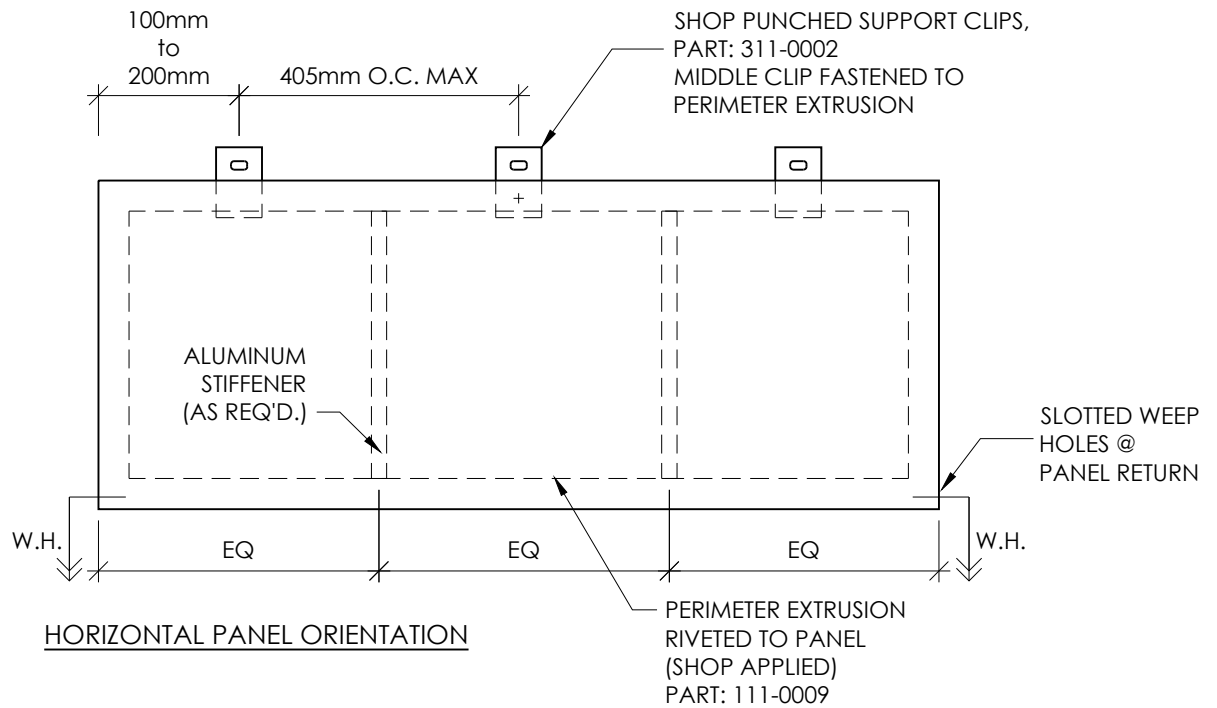


RAINSCREEN COMPOSITE PANEL SYSTEM

**ACCUMET**  
 PREFORMED COMPOSITE WALL PANELS

DETAIL LAYOUT



SUPPORT CLIP SPACING MAY VARY TO A MAX. OF 405mm O.C., AS PER ENGINEERING CALCULATIONS, IN BOTH VERTICAL OR HORIZONTAL APPLICATIONS.

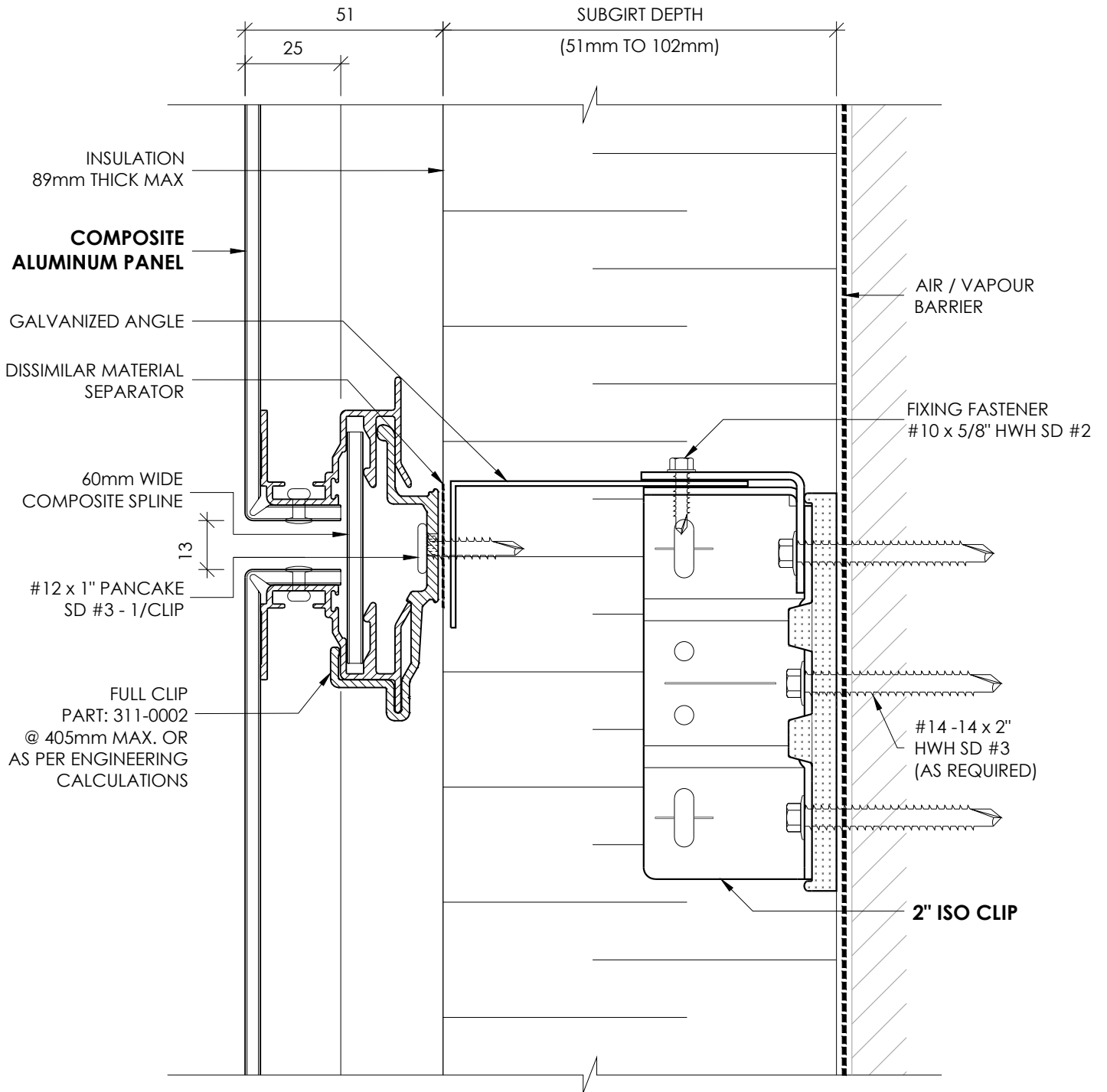


RAINSCREEN COMPOSITE PANEL SYSTEM



PANEL CONFIGURATION

**DETAIL 0**

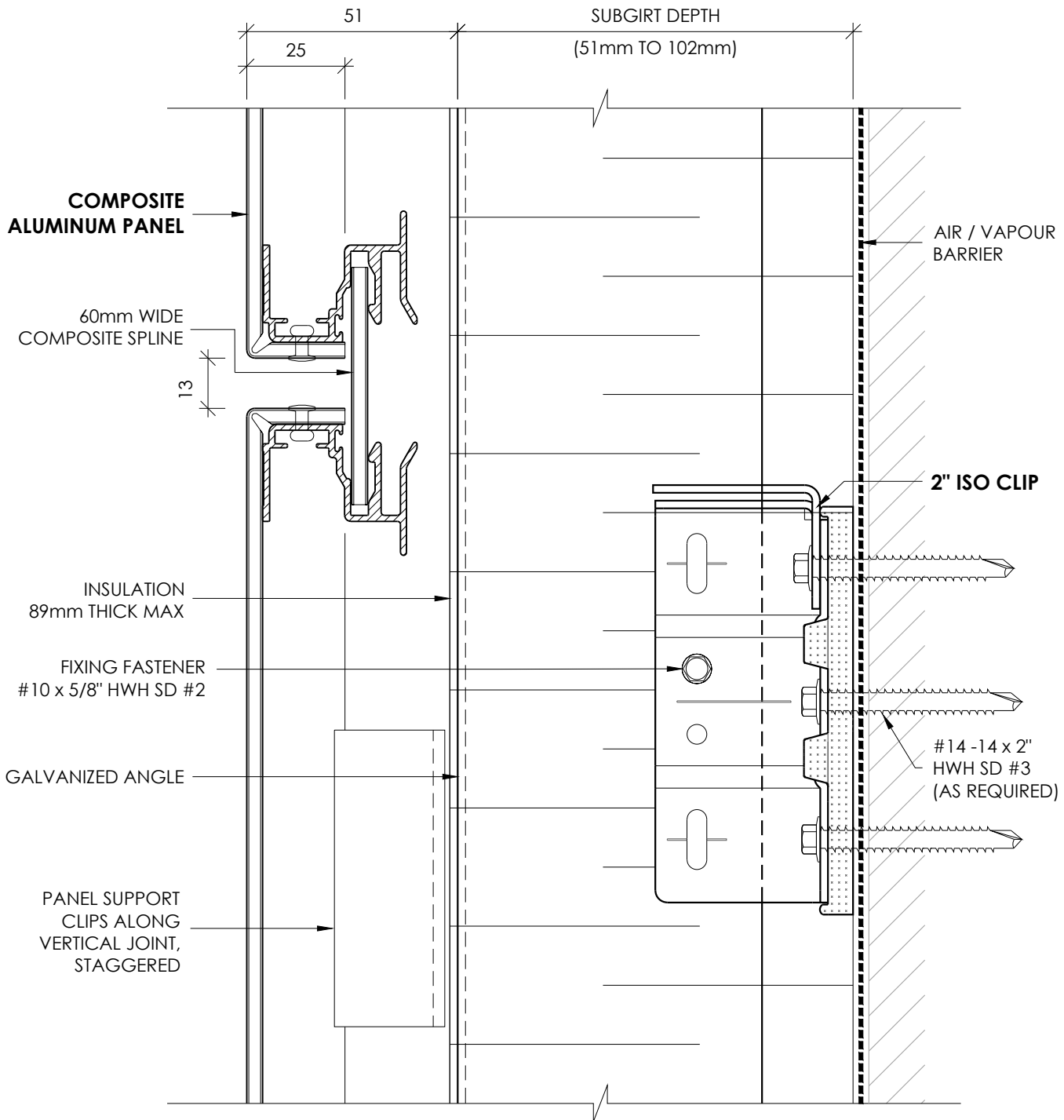


RAINSCREEN COMPOSITE PANEL SYSTEM

**ACCUMET**  
PREFORMED COMPOSITE WALL PANELS

HORIZONTAL JOINT  
W/ HORIZONTAL SUB-FRAMING

**DETAIL 01H**

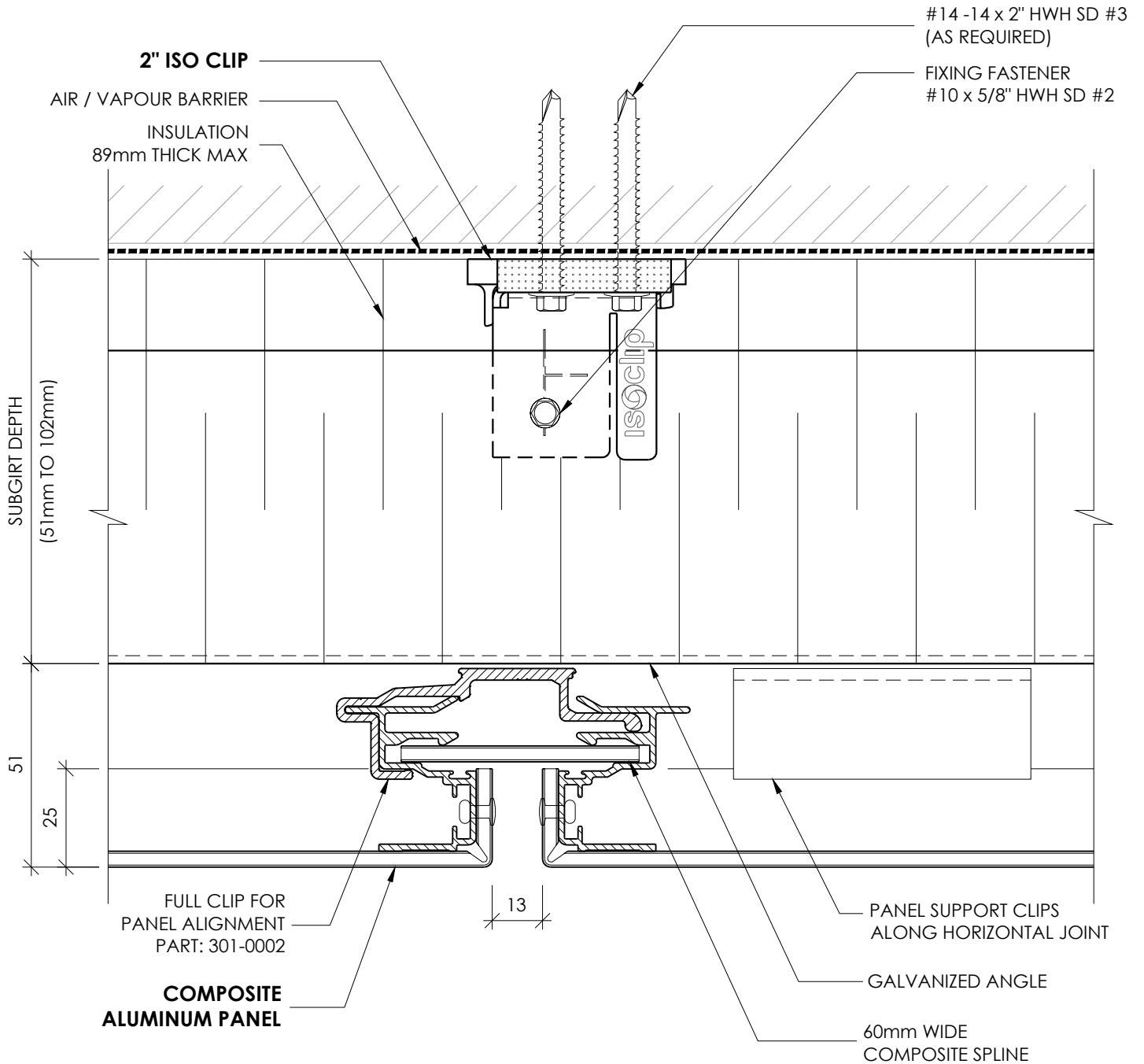


RAINSCREEN COMPOSITE PANEL SYSTEM



HORIZONTAL JOINT  
W/ VERTICAL SUB-FRAMING

**DETAIL 01V**

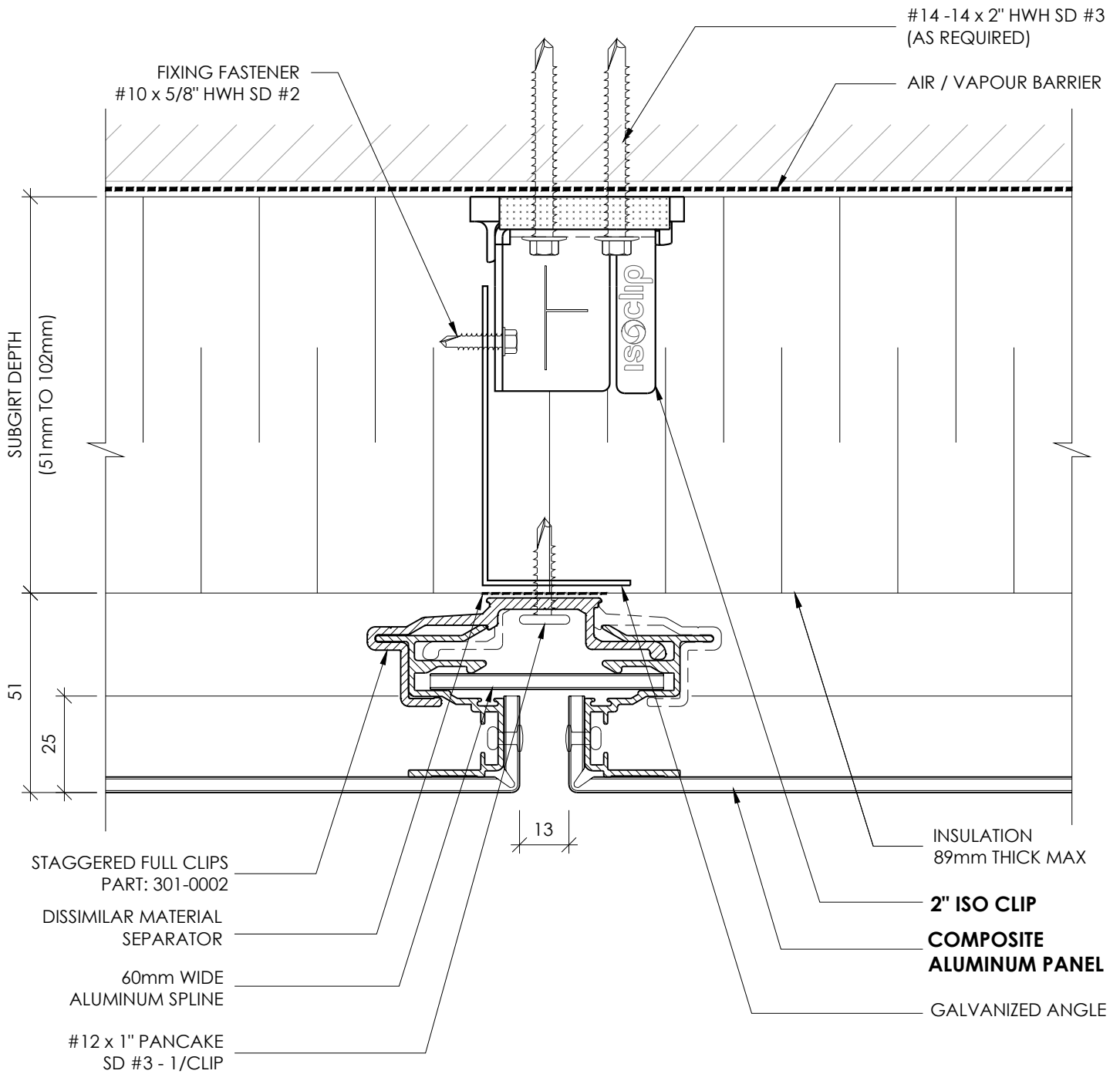


RAINSCREEN COMPOSITE PANEL SYSTEM

**ACCUMET**  
PREFORMED COMPOSITE WALL PANELS

VERTICAL JOINT  
W/ HORIZONTAL SUB-FRAMING

**DETAIL 02H**

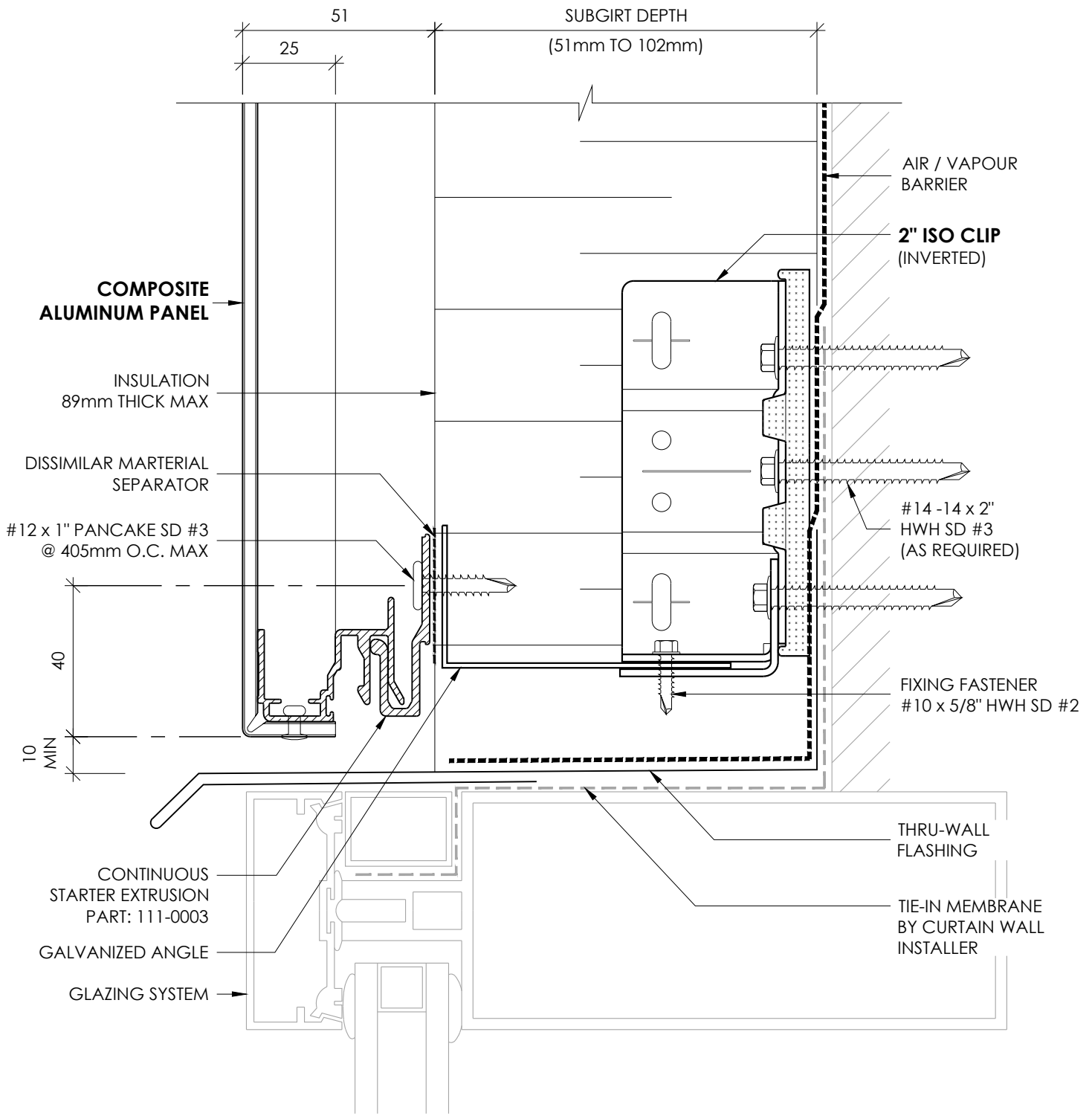


RAINSCREEN COMPOSITE PANEL SYSTEM

**ACCUMET**  
PREFORMED COMPOSITE WALL PANELS

VERTICAL JOINT  
W/ VERTICAL SUB-FRAMING

**DETAIL 02V**

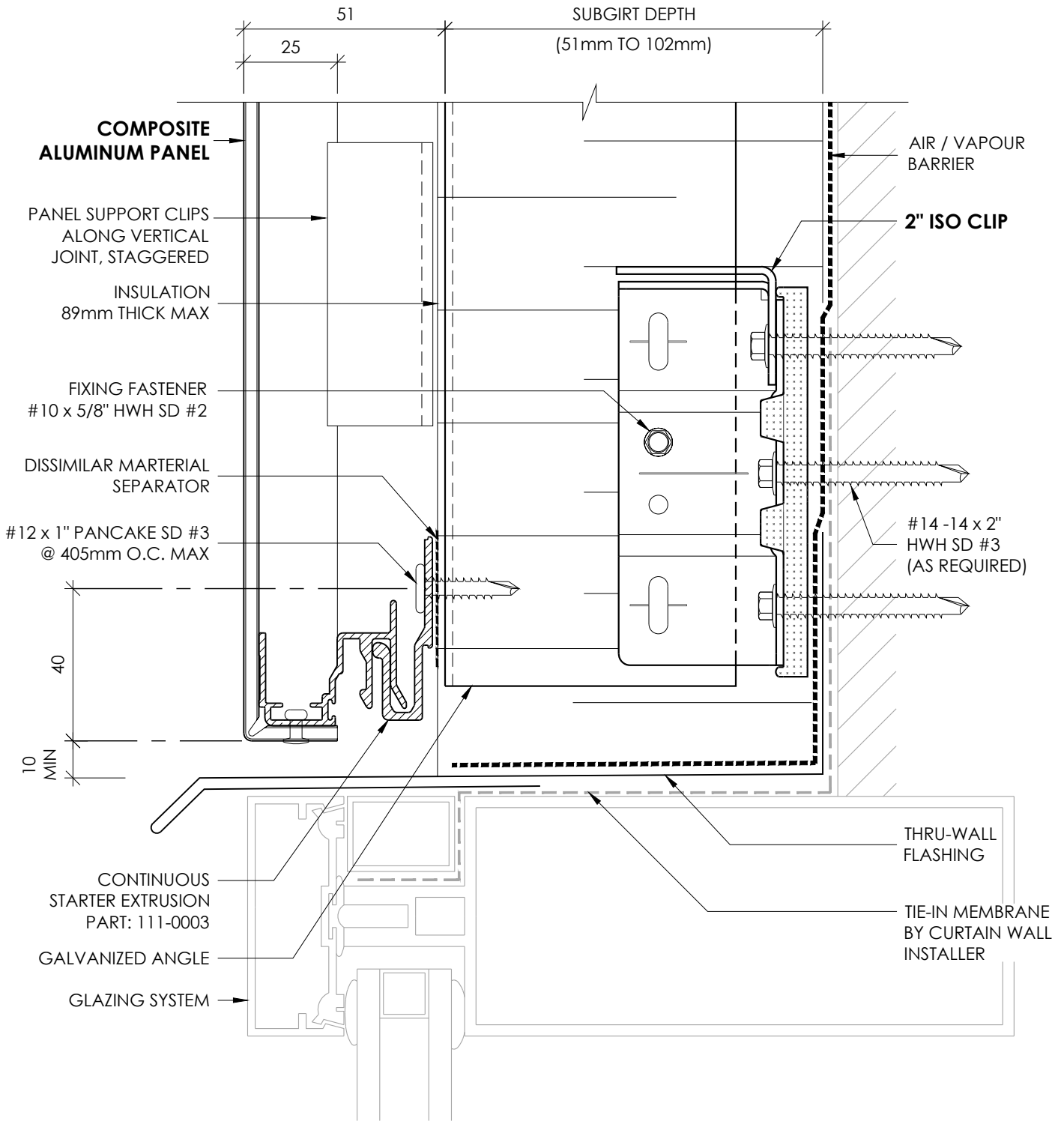


**RAINSCREEN COMPOSITE PANEL SYSTEM**



**WINDOW HEAD  
W/ HORIZONTAL SUB-FRAMING**

**DETAIL 03H**

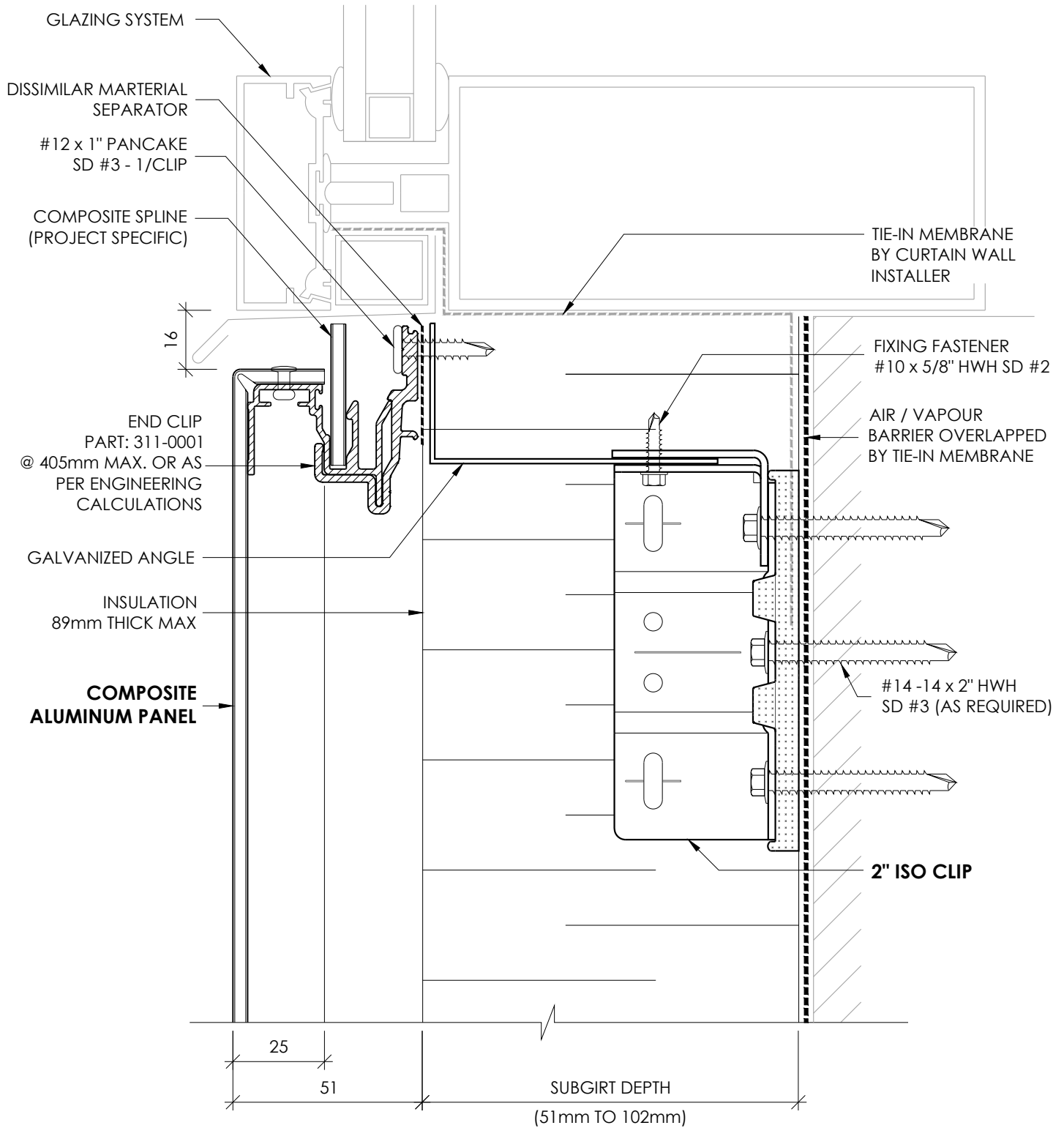


RAINSCREEN COMPOSITE PANEL SYSTEM

**ACCUMET**  
PREFORMED COMPOSITE WALL PANELS

WINDOW HEAD  
W/ VERTICAL SUB-FRAMING

**DETAIL 03V**

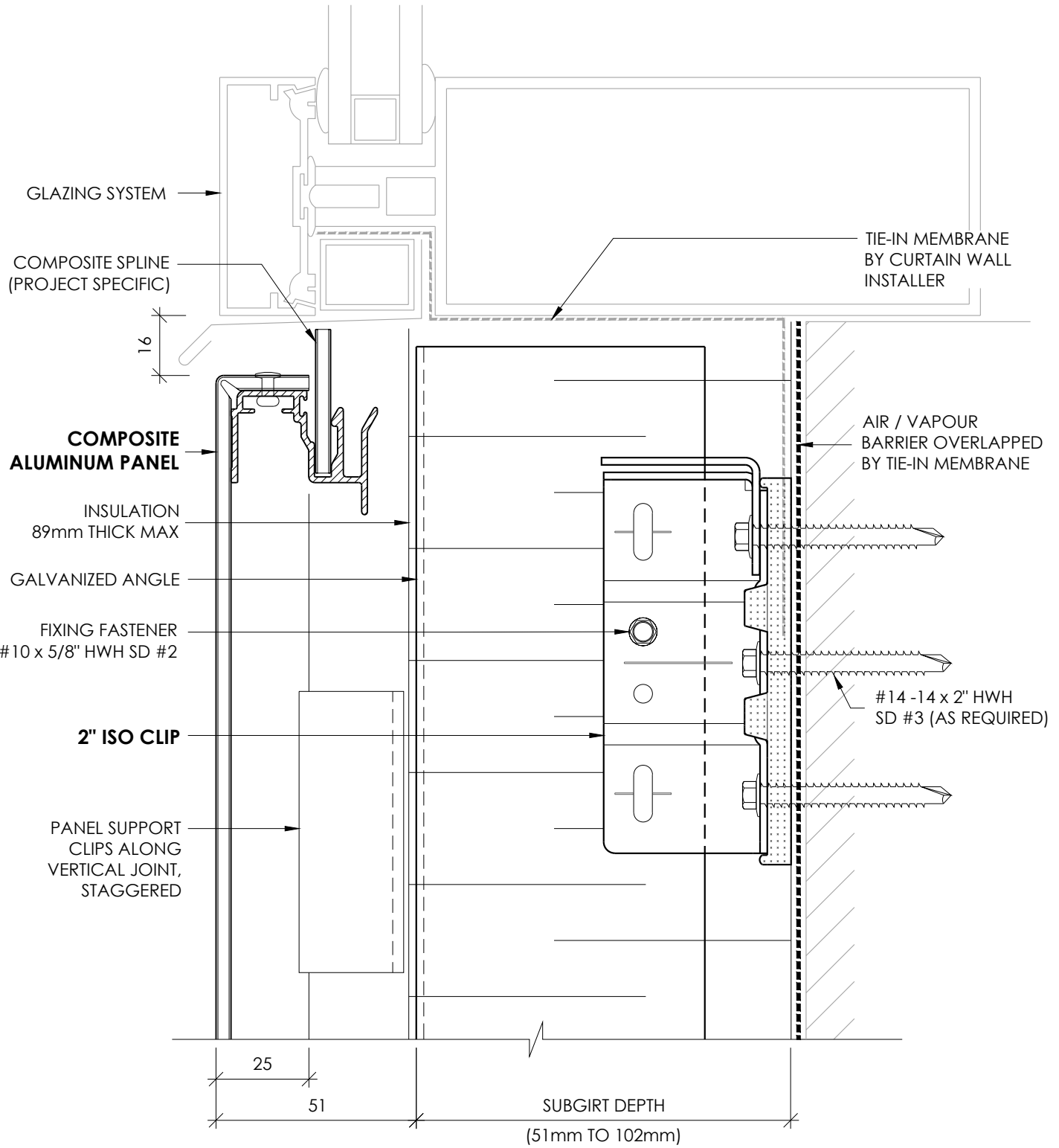


RAINSCREEN COMPOSITE PANEL SYSTEM

**ACCUMET**  
PREFORMED COMPOSITE WALL PANELS

WINDOW SILL  
W/ HORIZONTAL SUB-FRAMING

**DETAIL 04H**

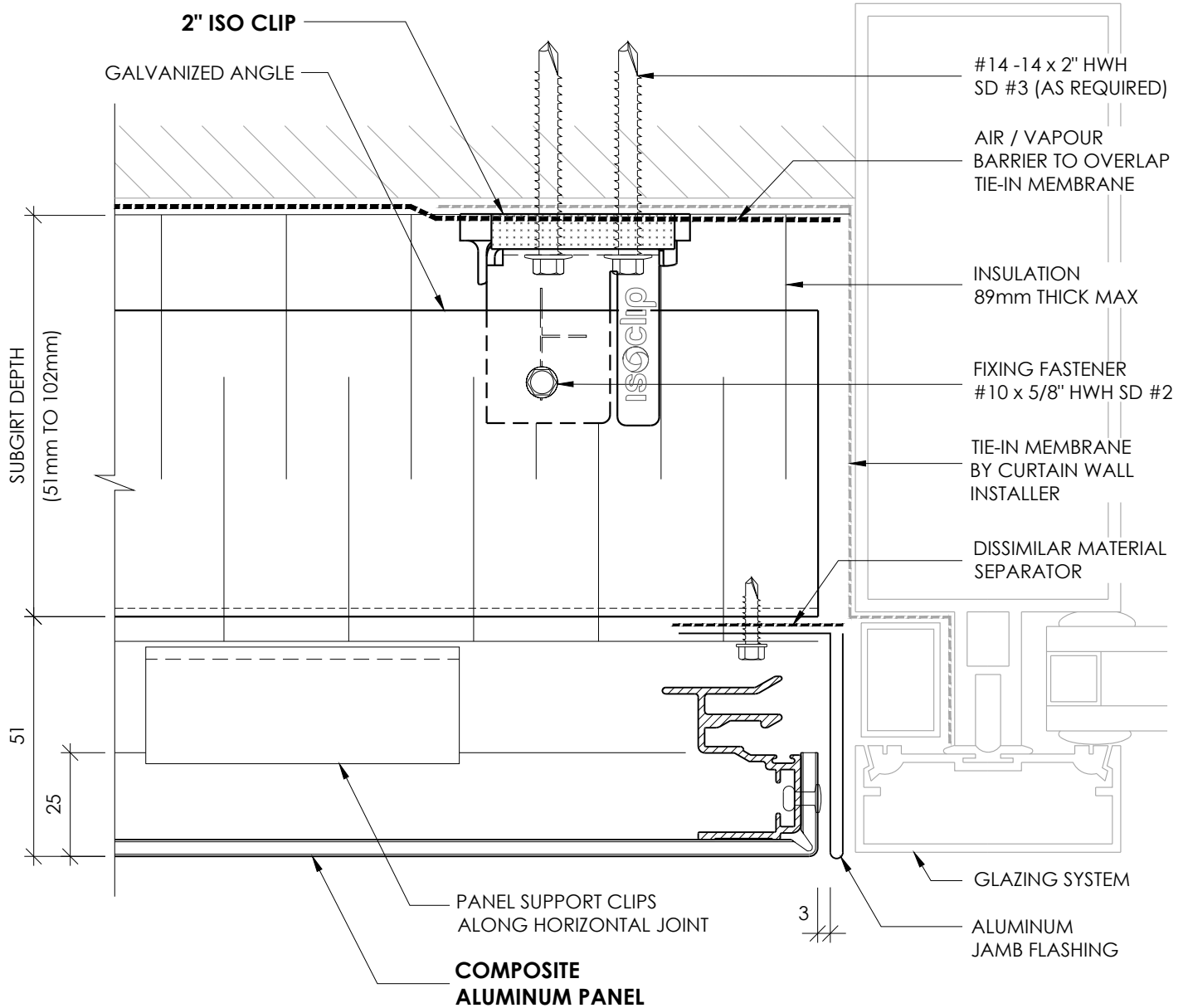


RAINSCREEN COMPOSITE PANEL SYSTEM

**ACCUMET**  
PREFORMED COMPOSITE WALL PANELS

WINDOW SILL  
W/ VERTICAL SUB-FRAMING

**DETAIL 04V**

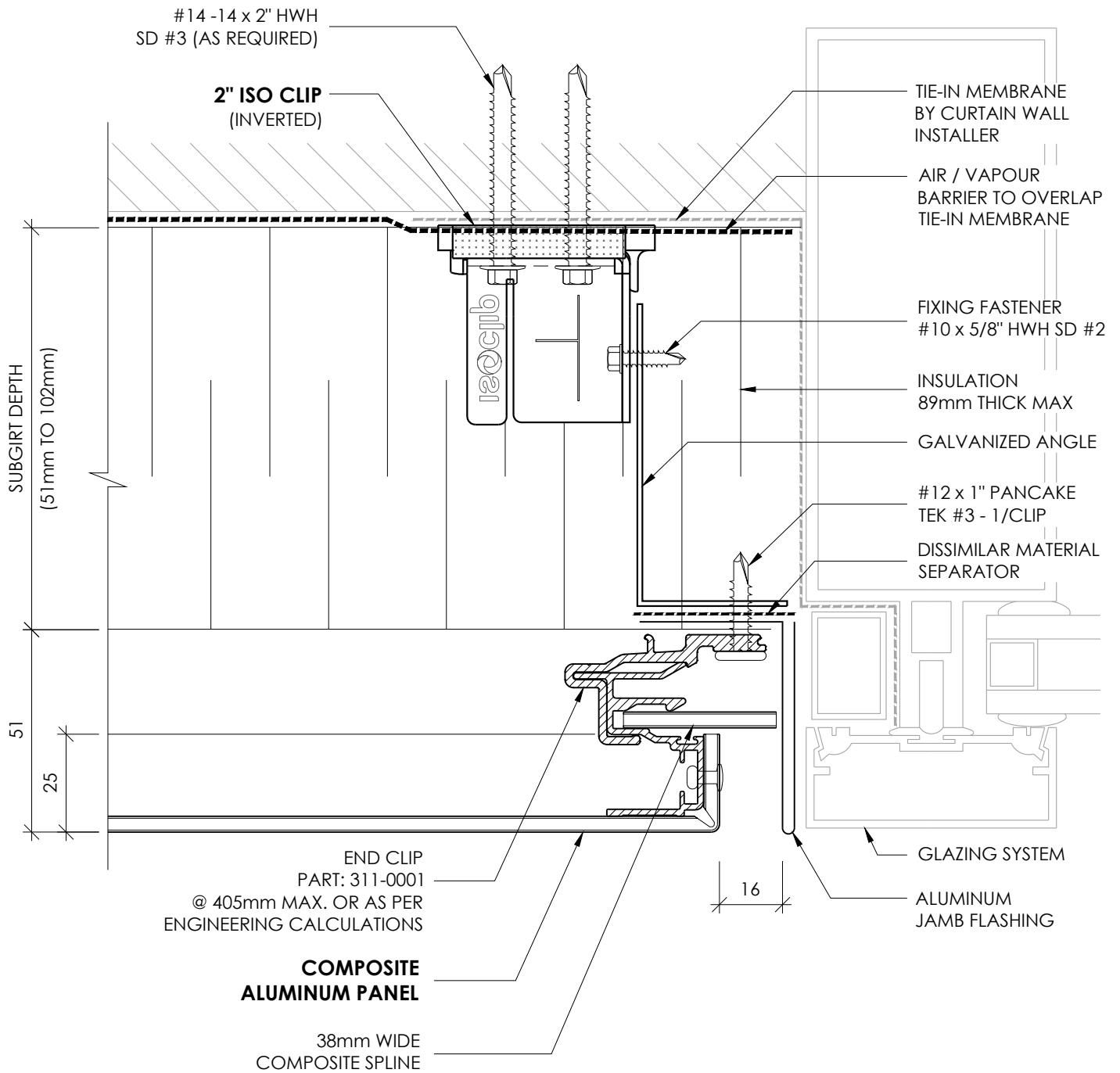


**RAINSCREEN COMPOSITE PANEL SYSTEM**



**WINDOW JAMB  
W/ HORIZONTAL SUB-FRAMING**

**DETAIL 05H**

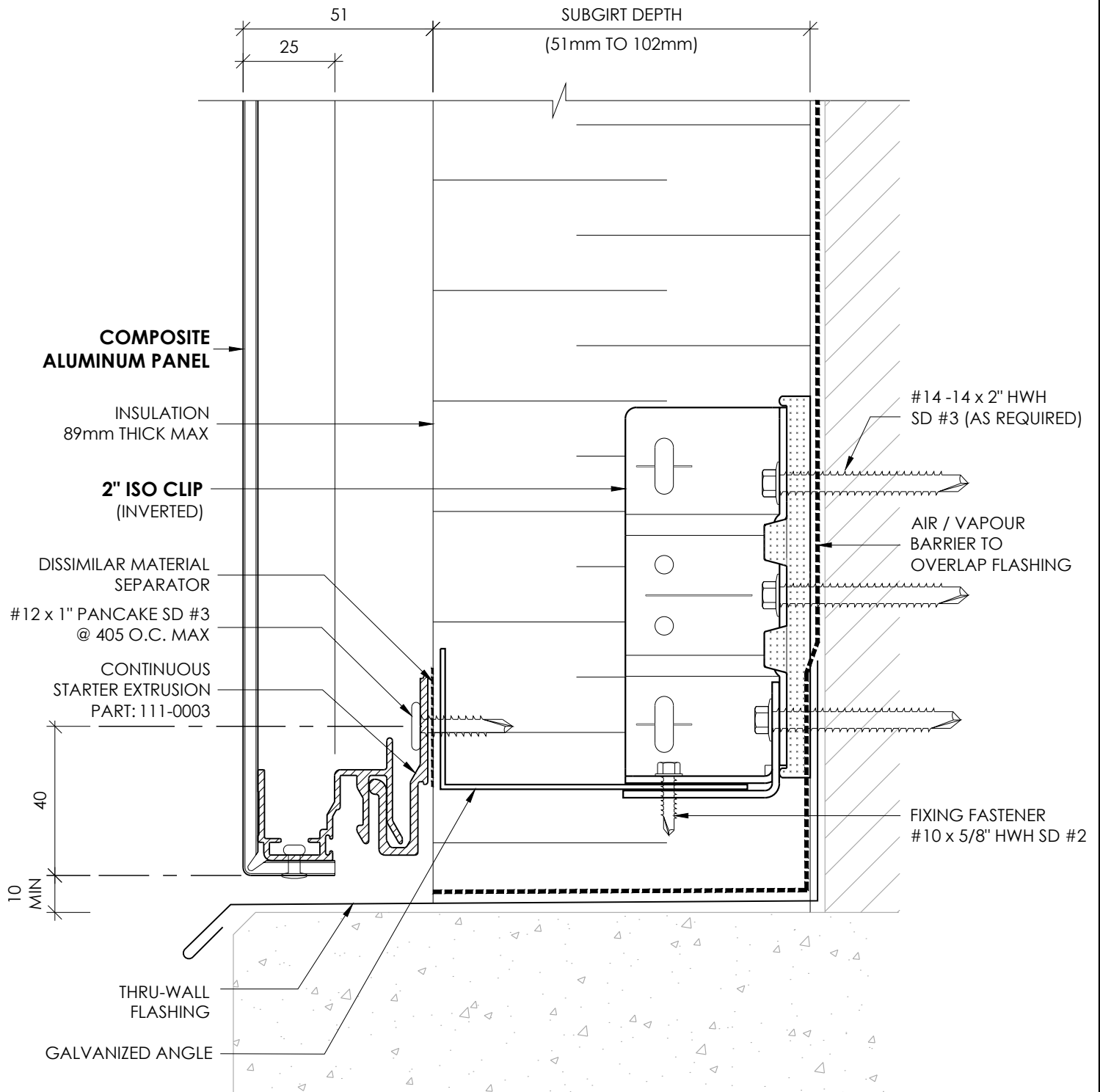


RAINSCREEN COMPOSITE PANEL SYSTEM

**ACCUMET**  
PREFORMED COMPOSITE WALL PANELS

WINDOW JAMB  
W/ VERTICAL SUB-FRAMING

**DETAIL 05V**

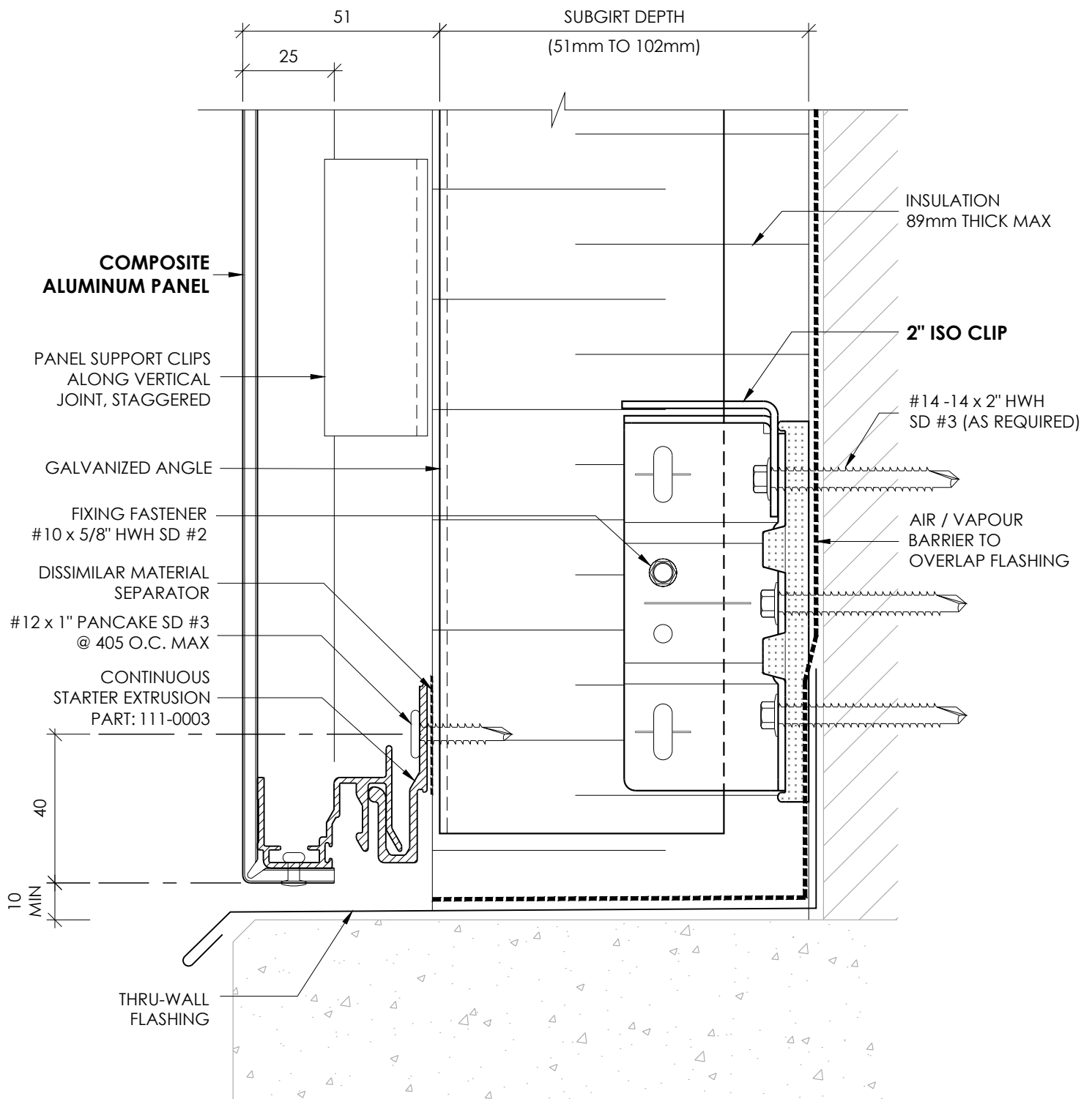


RAINSCREEN COMPOSITE PANEL SYSTEM

**ACCUMET**  
PREFORMED COMPOSITE WALL PANELS

BASE DETAIL  
W/ HORIZONTAL SUB-FRAMING

**DETAIL 06H**

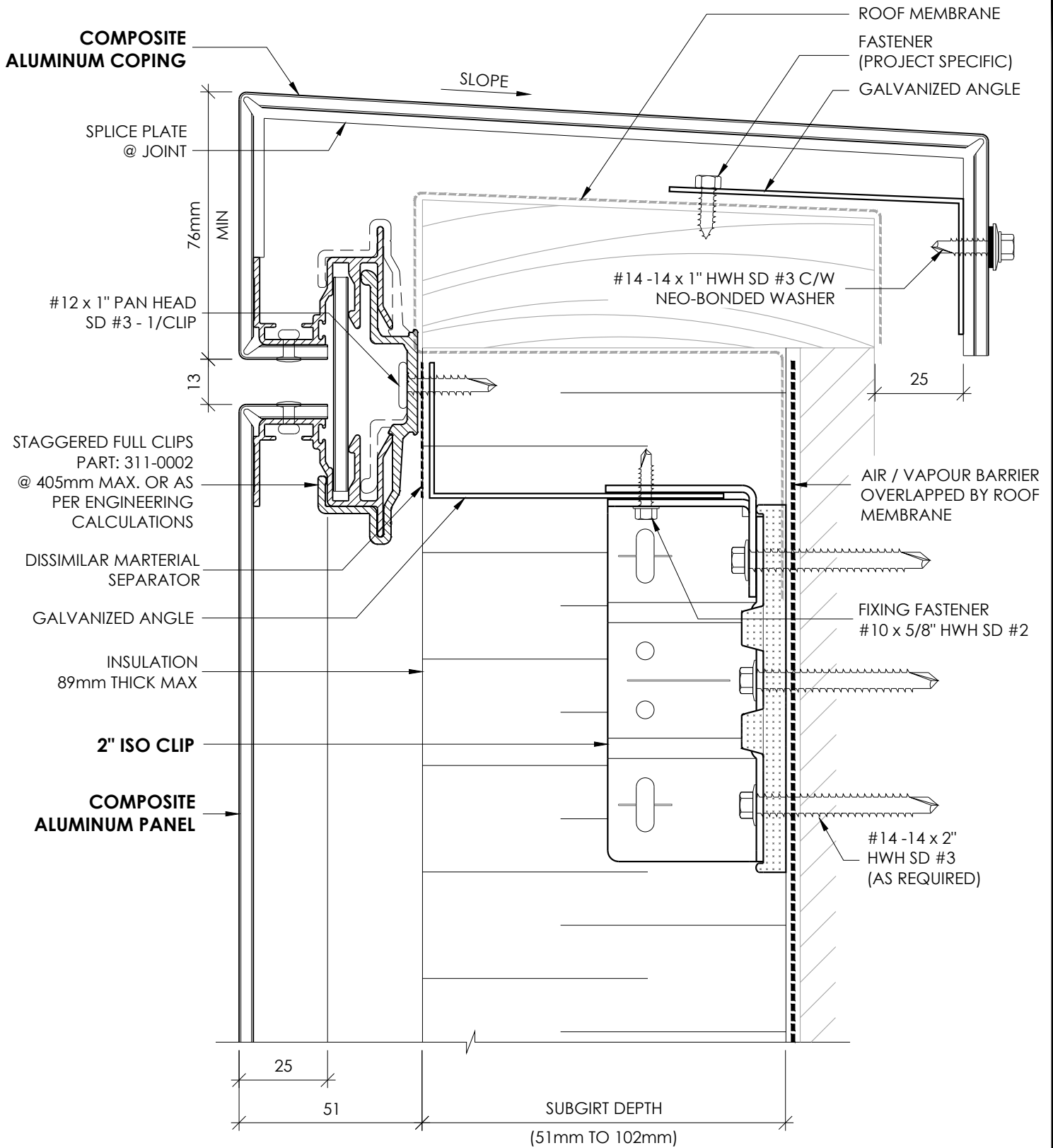


RAINSCREEN COMPOSITE PANEL SYSTEM

**ACCUMET**  
PREFORMED COMPOSITE WALL PANELS

BASE DETAIL  
W/ VERTICAL SUB-FRAMING

**DETAIL 06V**

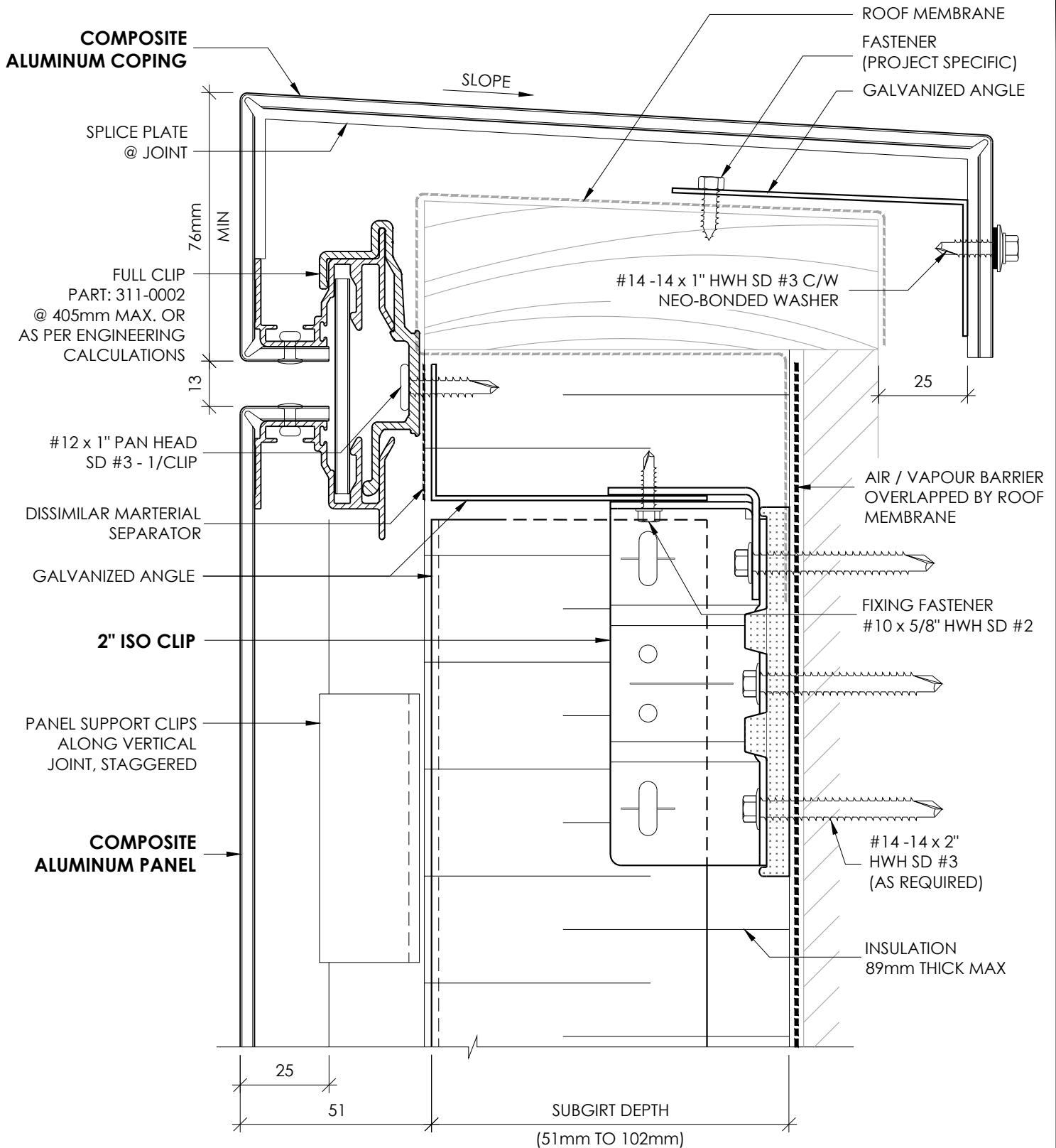


**RAINSCREEN COMPOSITE PANEL SYSTEM**

**ACCUMET**  
 PREFORMED COMPOSITE WALL PANELS

**PARAPET DETAIL  
 W/ HORIZONTAL SUB-FRAMING**

**DETAIL 07H**

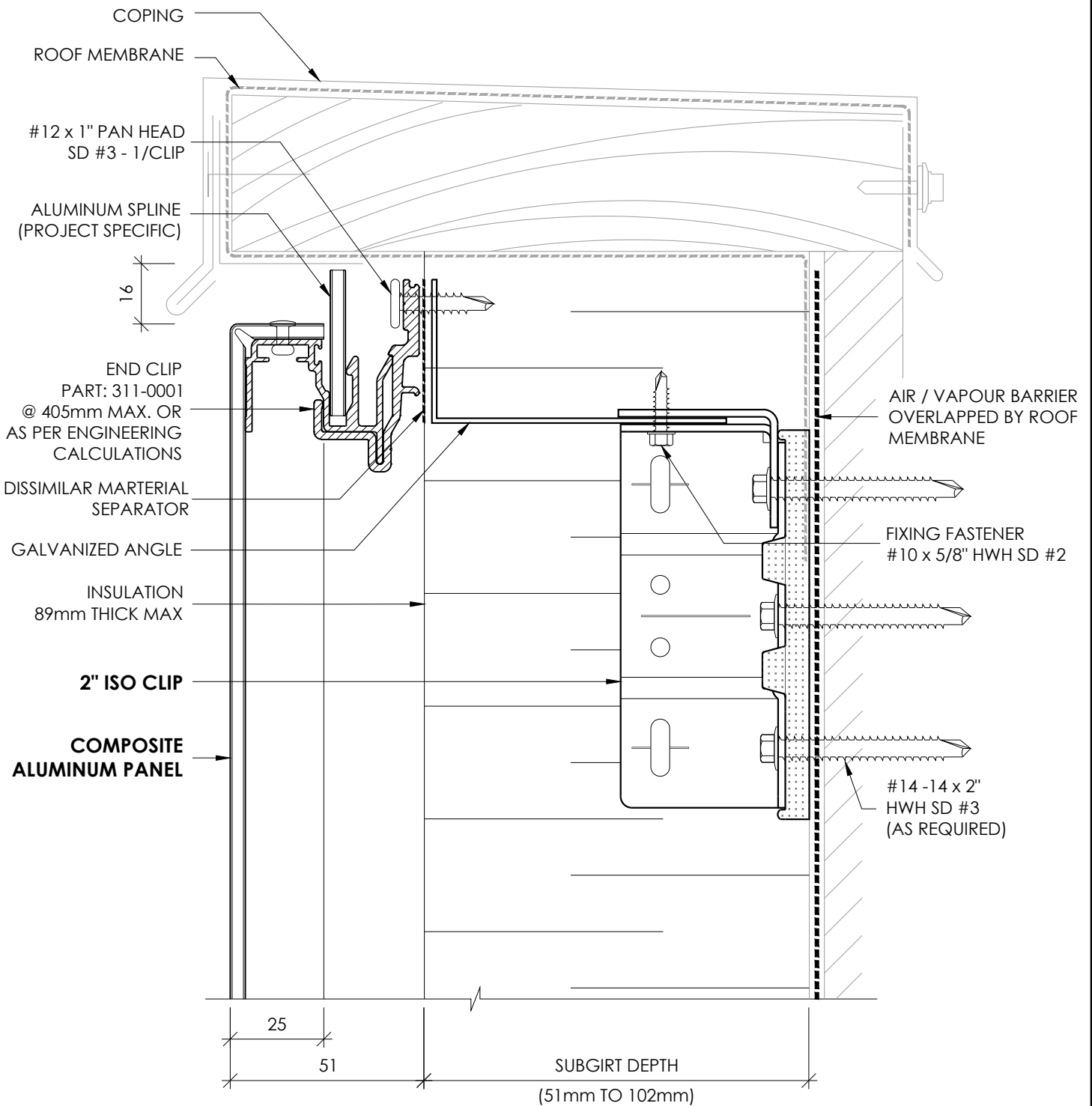


**RAINSCREEN COMPOSITE PANEL SYSTEM**

**ACCUMET**  
 PREFORMED COMPOSITE WALL PANELS

**PARAPET DETAIL  
 W/ VERTICAL SUB-FRAMING**

**DETAIL 07V**

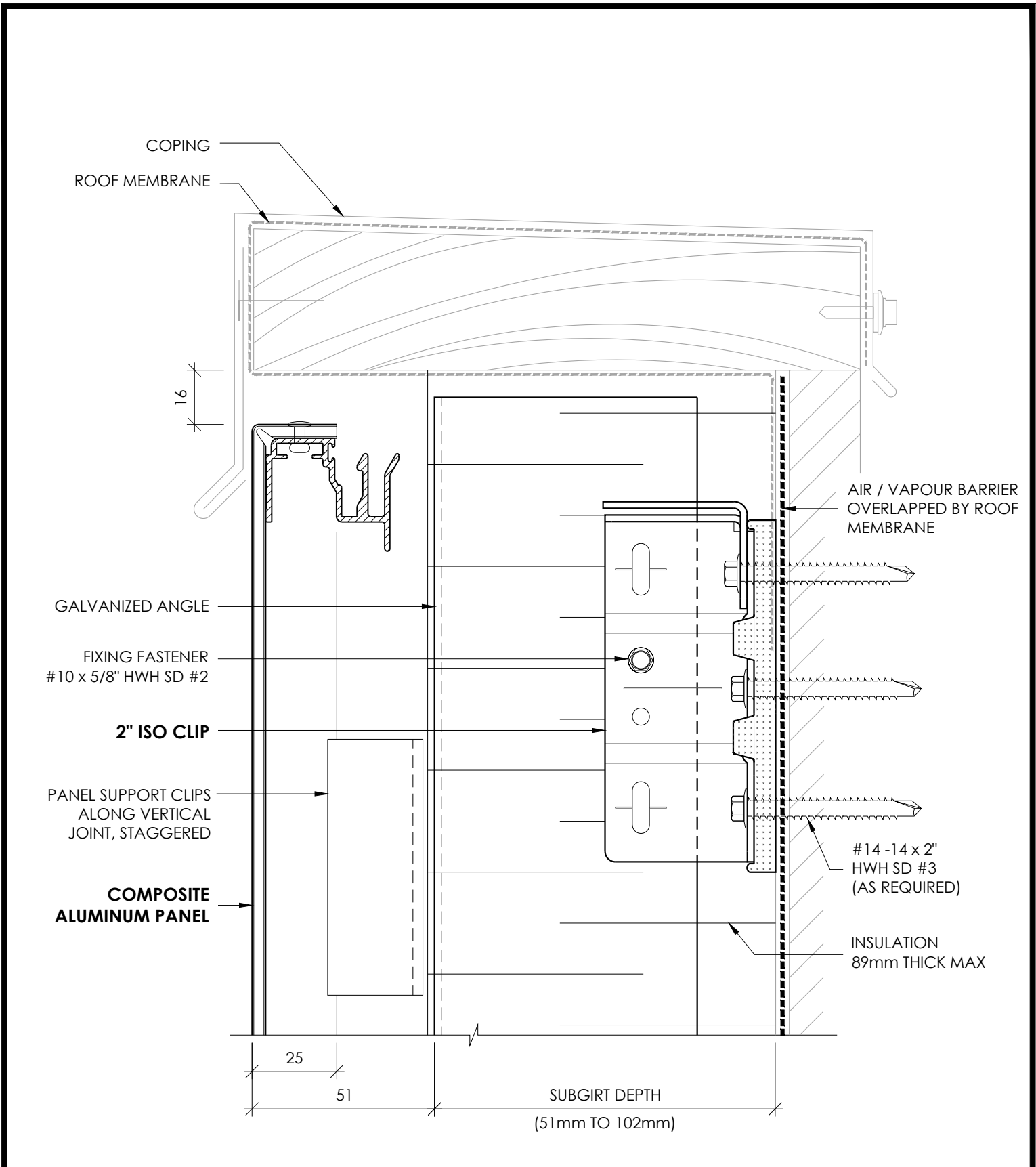


RAINSCREEN COMPOSITE PANEL SYSTEM

**ACCUMET**  
PREFORMED COMPOSITE WALL PANELS

PARAPET DETAIL  
W/ HORIZONTAL SUB-FRAMING

**DETAIL 08H**

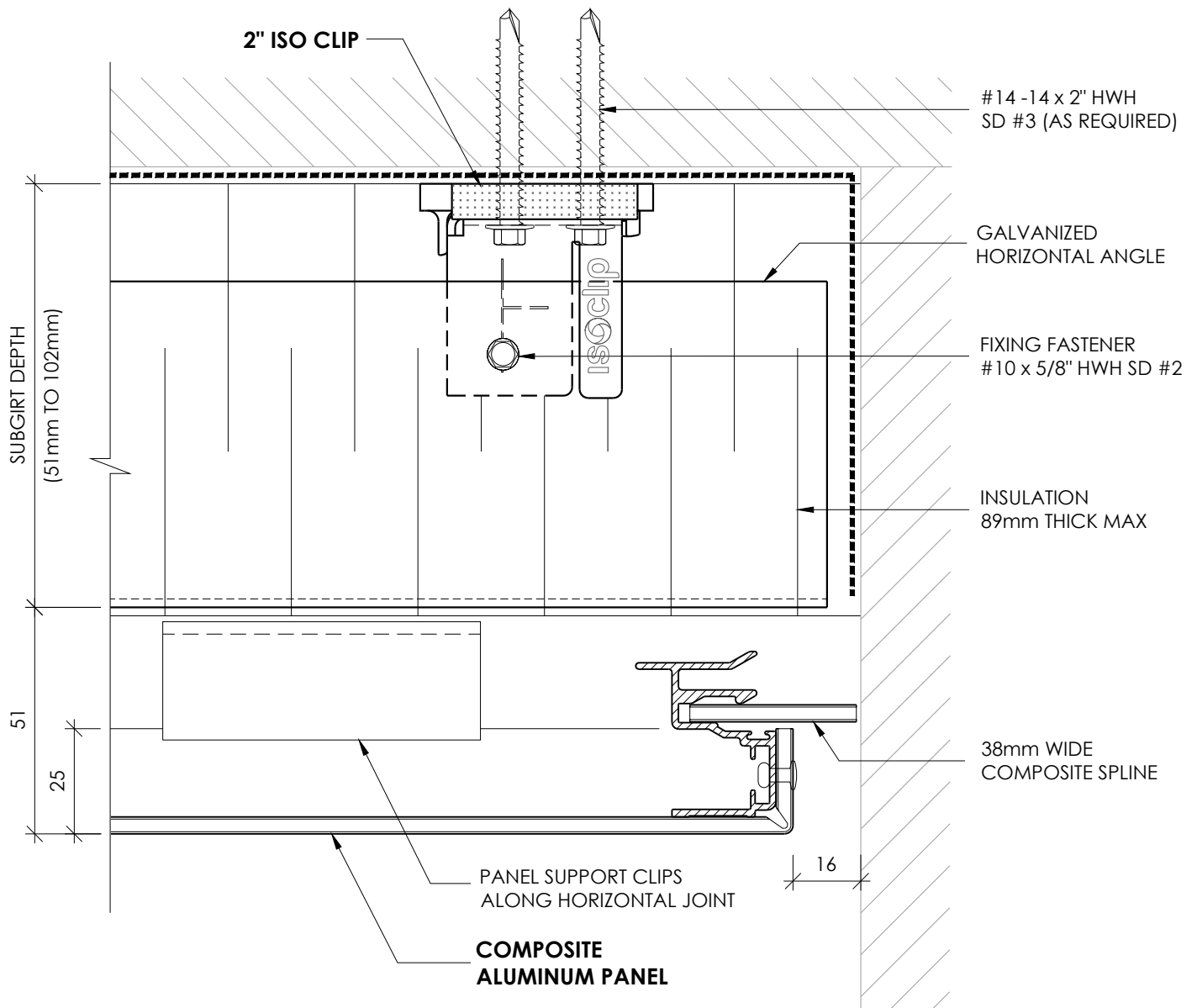


RAINSCREEN COMPOSITE PANEL SYSTEM

**ACCUMET**  
PREFORMED COMPOSITE WALL PANELS

PARAPET DETAIL  
W/ VERTICAL SUB-FRAMING

**DETAIL 08V**

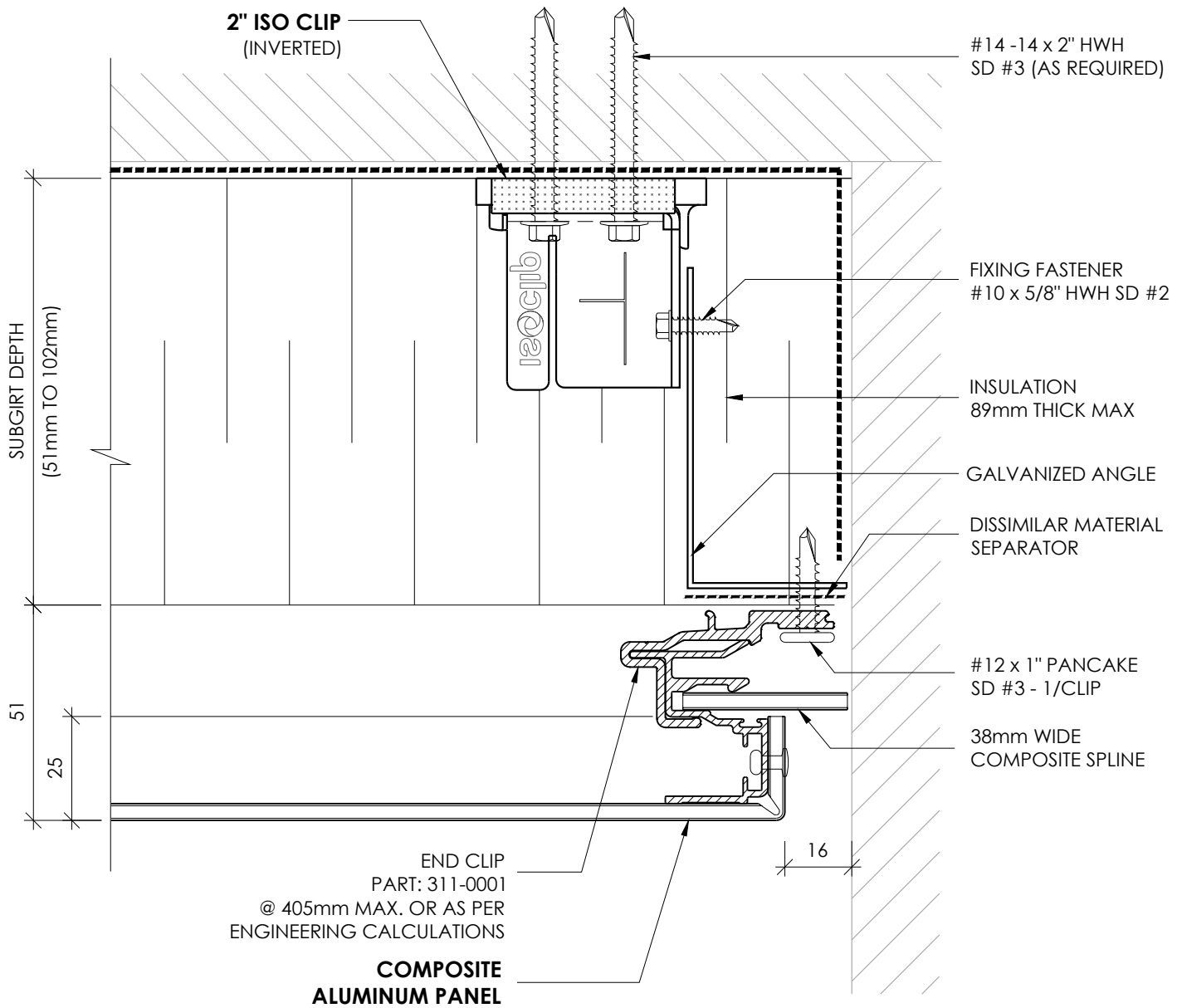


RAINSCREEN COMPOSITE PANEL SYSTEM

**ACCUMET**  
PREFORMED COMPOSITE WALL PANELS

TERMINATION DETAIL  
W/ HORIZONTAL SUB-FRAMING

**DETAIL 09H**

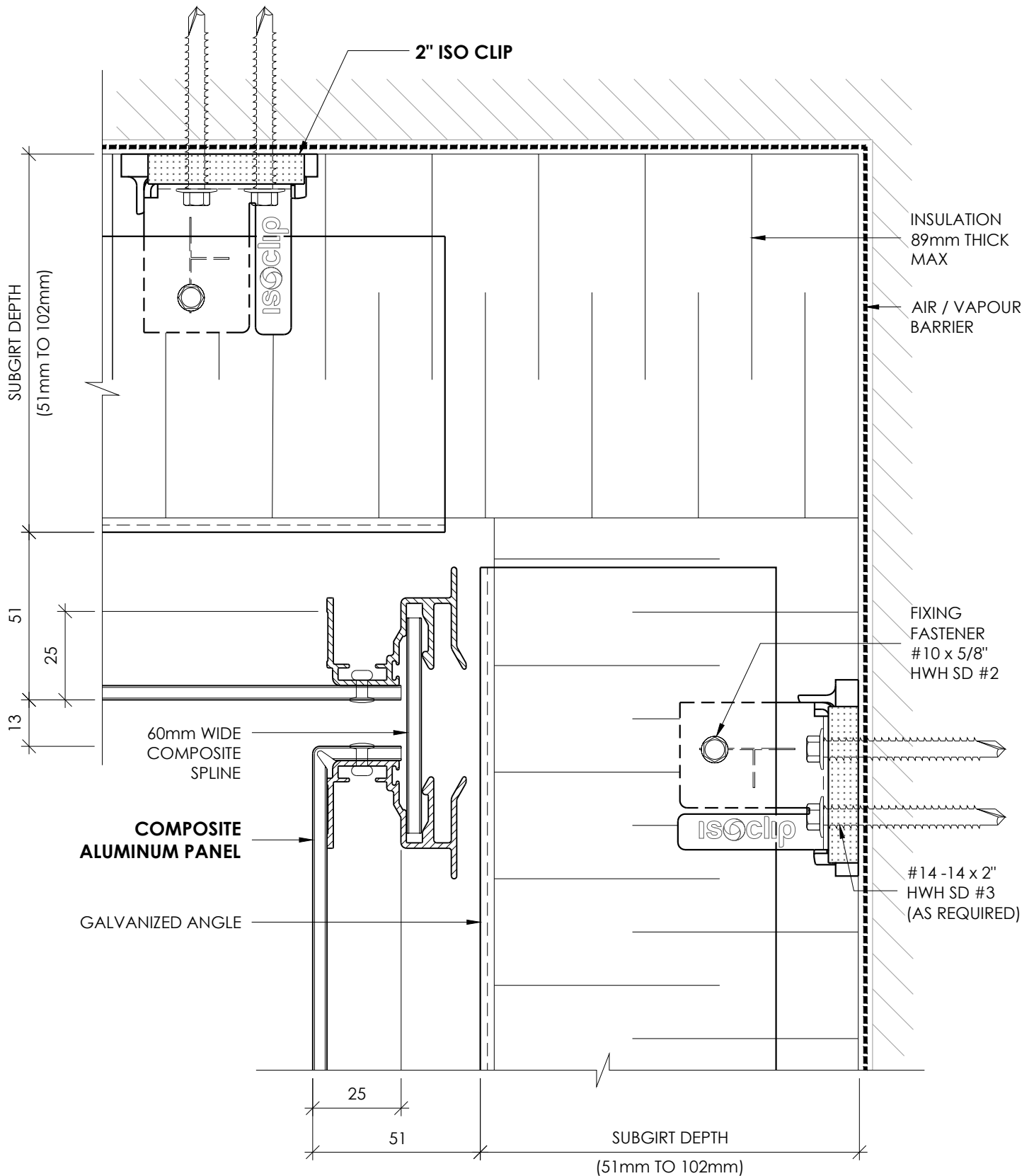


**RAINSCREEN COMPOSITE PANEL SYSTEM**



**TERMINATION DETAIL  
W/ VERTICAL SUB-FRAMING**

**DETAIL 09V**

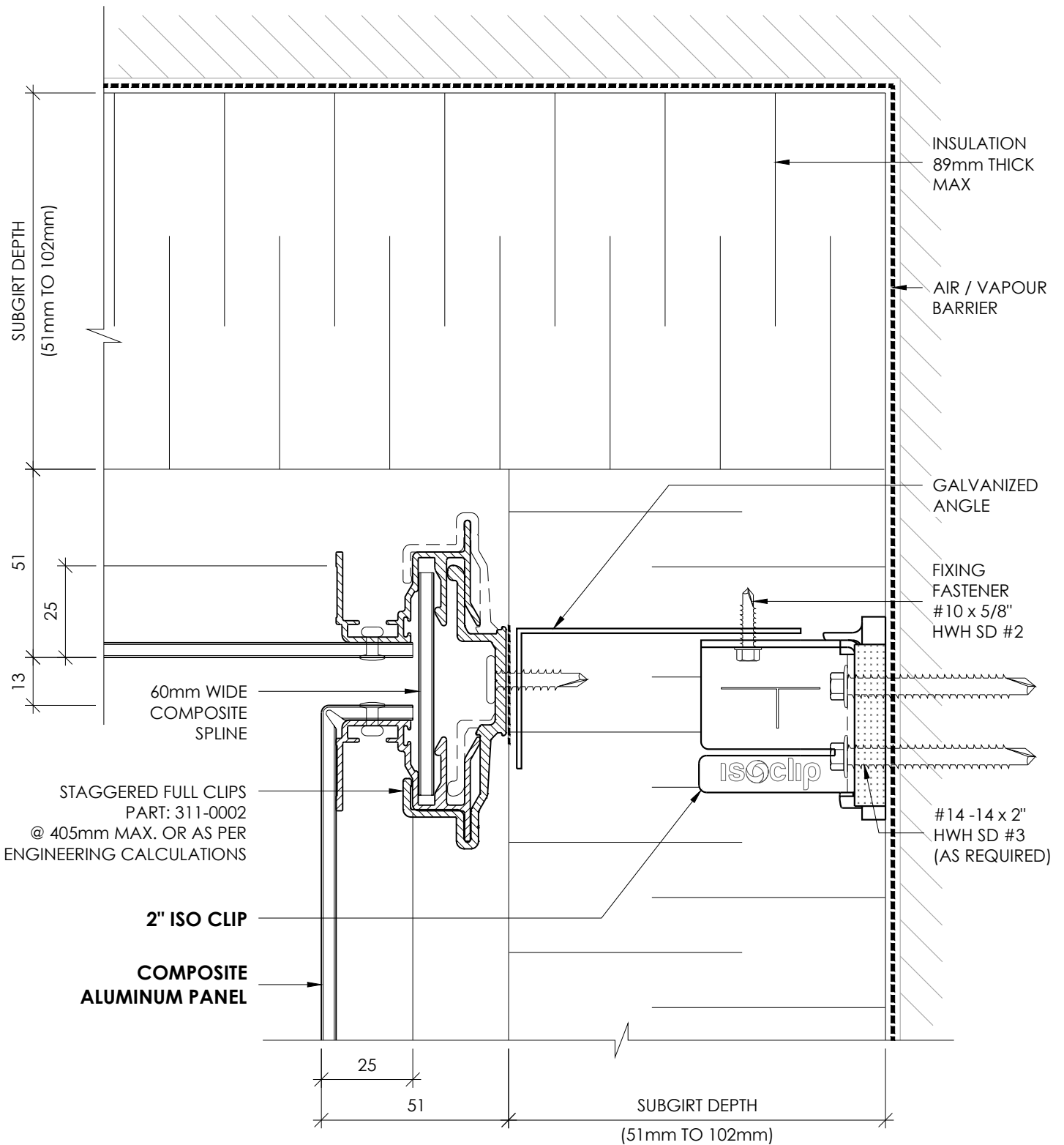


**RAINSCREEN COMPOSITE PANEL SYSTEM**

**ACCUMET**  
PREFORMED COMPOSITE WALL PANELS

**INSIDE CORNER  
W/ HORIZONTAL SUB-FRAMING**

**DETAIL 10H**

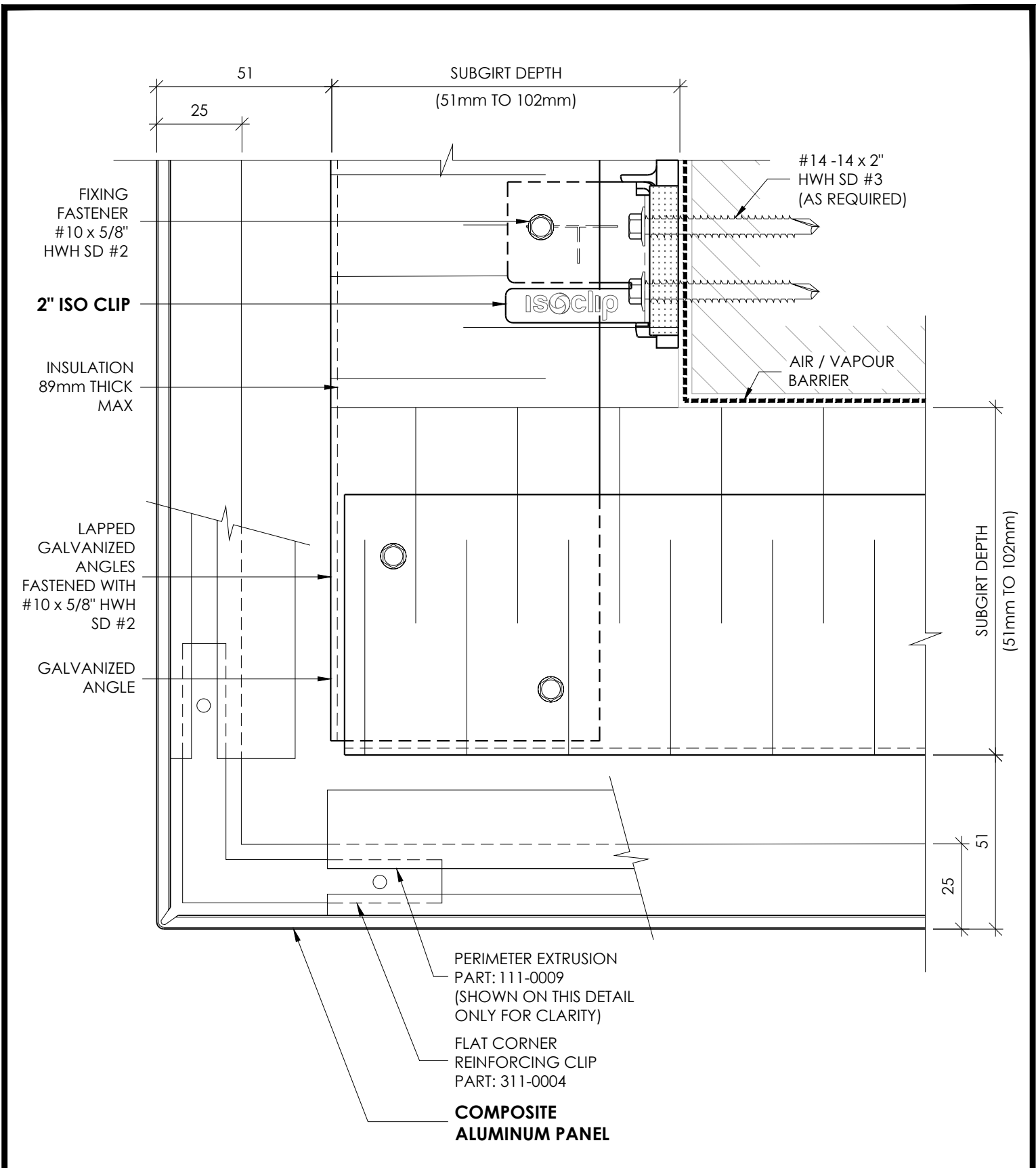


RAINSCREEN COMPOSITE PANEL SYSTEM

**ACCUMET**  
PREFORMED COMPOSITE WALL PANELS

INSIDE CORNER  
W/ VERTICAL SUB-FRAMING

**DETAIL 10V**

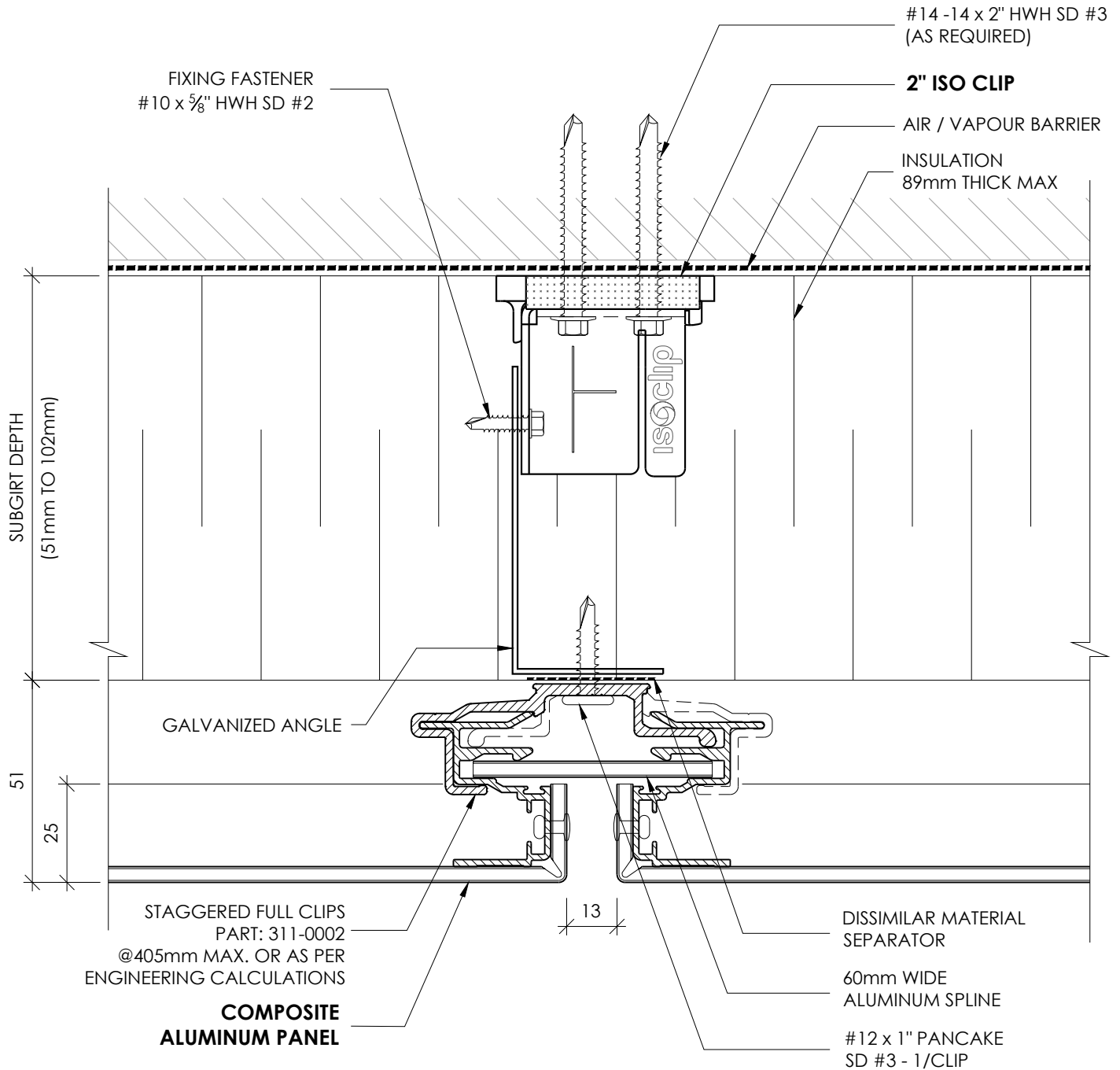


RAINSCREEN COMPOSITE PANEL SYSTEM

**ACCUMET**  
PREFORMED COMPOSITE WALL PANELS

OUTSIDE CORNER

**DETAIL 11**



RAINSCREEN COMPOSITE PANEL SYSTEM

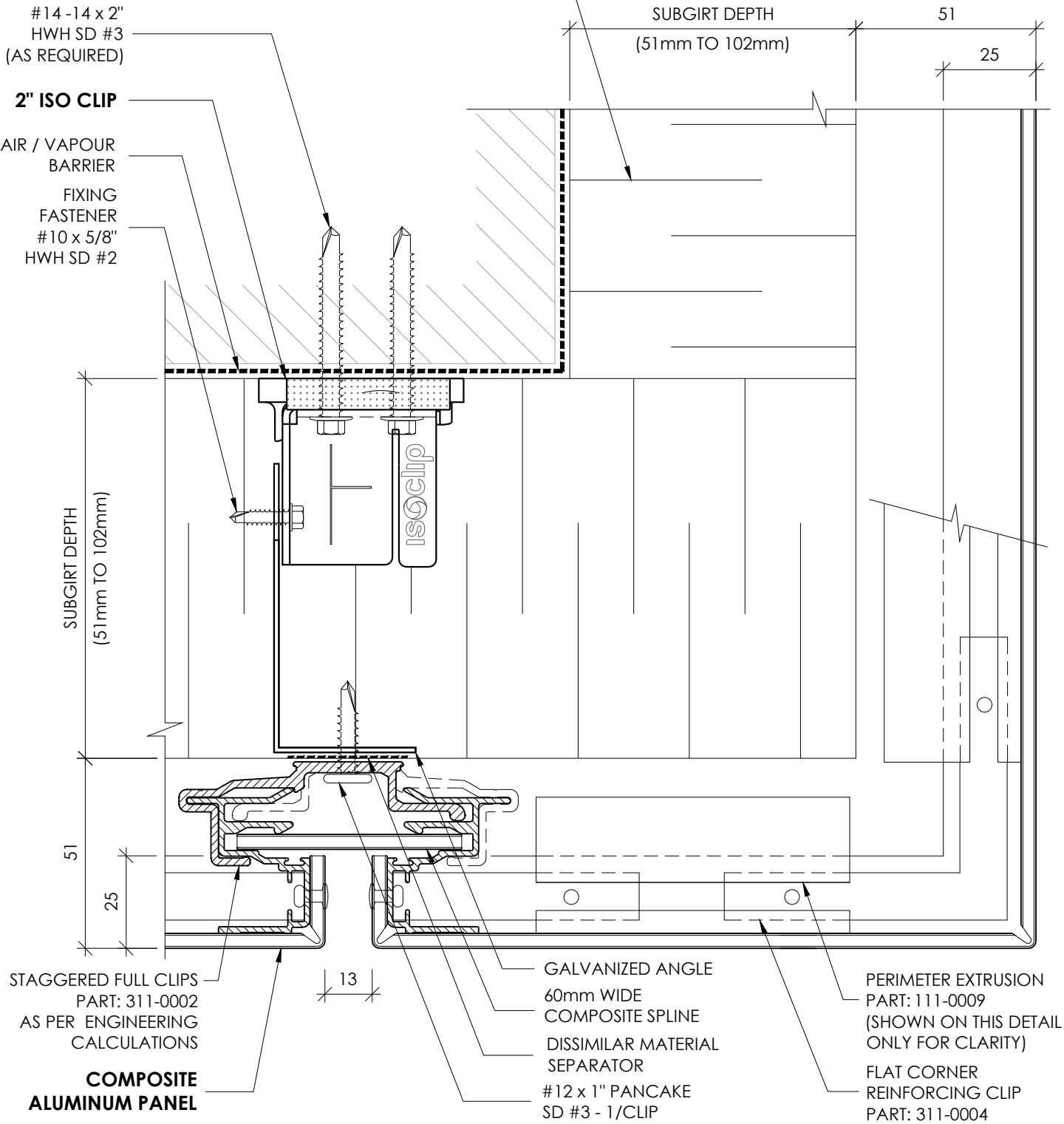
**ACCUMET**  
PREFORMED COMPOSITE WALL PANELS

SOFFIT JOINT

**DETAIL 12**

INSULATION  
89mm THICK  
MAX  
#14 -14 x 2"  
HWH SD #3  
(AS REQUIRED)

**2" ISO CLIP**  
AIR / VAPOUR  
BARRIER  
FIXING  
FASTENER  
#10 x 5/8"  
HWH SD #2



SUBGIRT DEPTH  
(51mm TO 102mm)

SUBGIRT DEPTH  
(51mm TO 102mm)

51

25

51

25

13

STAGGERED FULL CLIPS  
PART: 311-0002  
AS PER ENGINEERING  
CALCULATIONS

**COMPOSITE  
ALUMINUM PANEL**

GALVANIZED ANGLE  
60mm WIDE  
COMPOSITE SPLINE  
DISSIMILAR MATERIAL  
SEPARATOR  
#12 x 1" PANCAKE  
SD #3 - 1/CLIP

PERIMETER EXTRUSION  
PART: 111-0009  
(SHOWN ON THIS DETAIL  
ONLY FOR CLARITY)  
FLAT CORNER  
REINFORCING CLIP  
PART: 311-0004

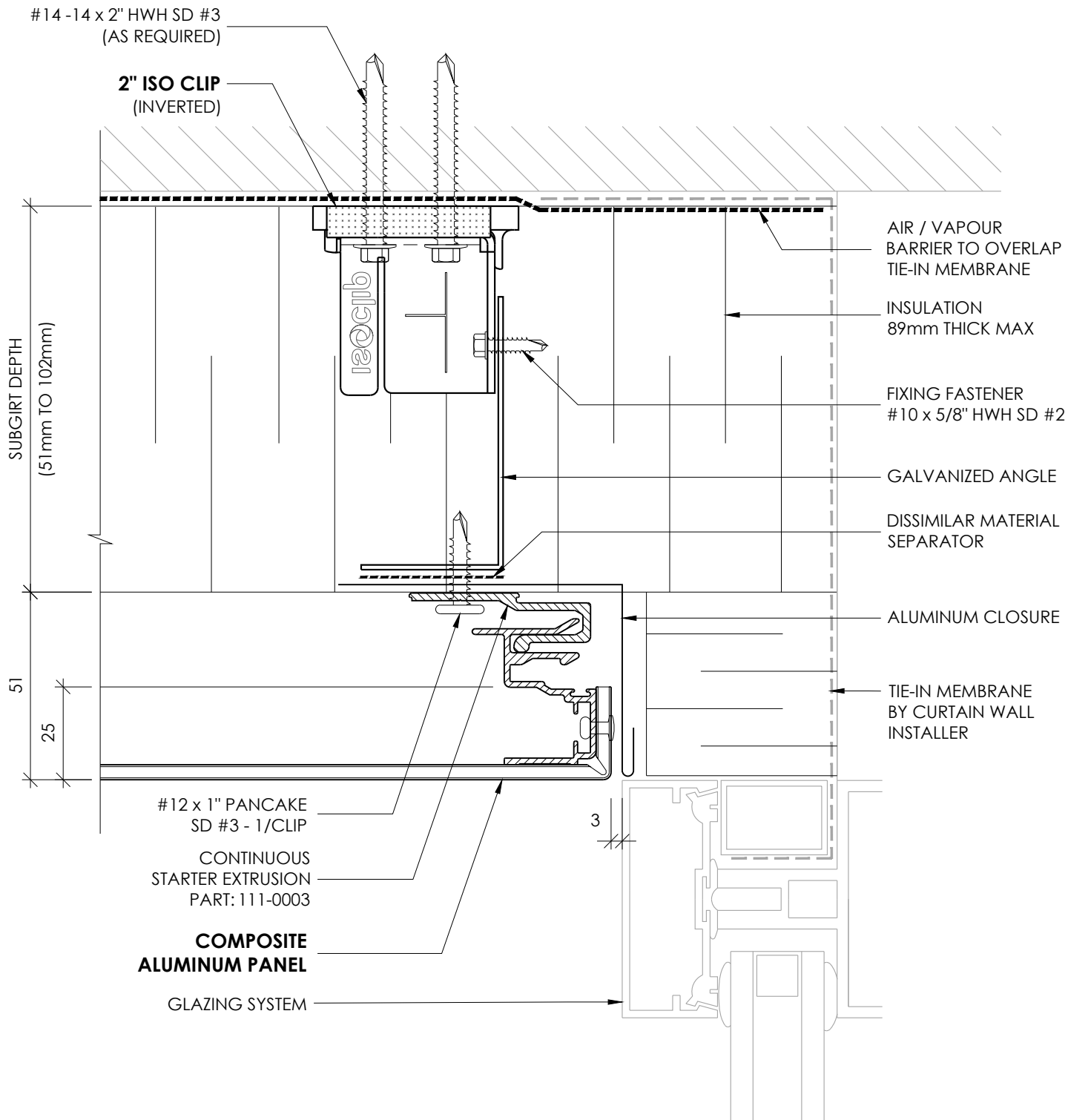


RAINSCREEN COMPOSITE PANEL SYSTEM



SOFFIT FASCIA JOINT

**DETAIL 13**

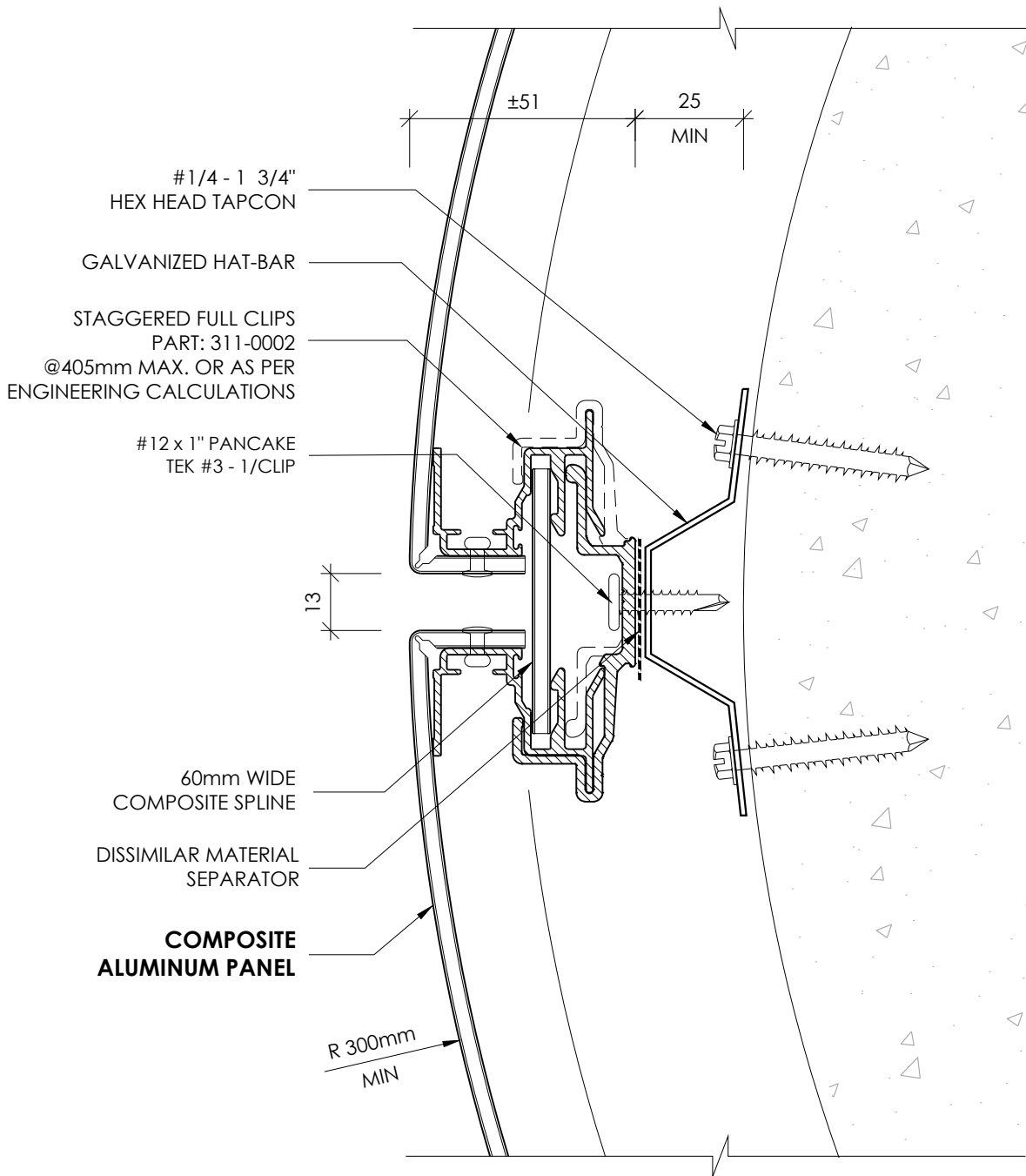


RAINSCREEN COMPOSITE PANEL SYSTEM



SOFFIT TERMINATION JOINT

**DETAIL 14**



RAINSCREEN COMPOSITE PANEL SYSTEM

**ACCUMET**  
 PREFORMED COMPOSITE WALL PANELS

CURVED COLOUMN DETAIL

**DETAIL 15**